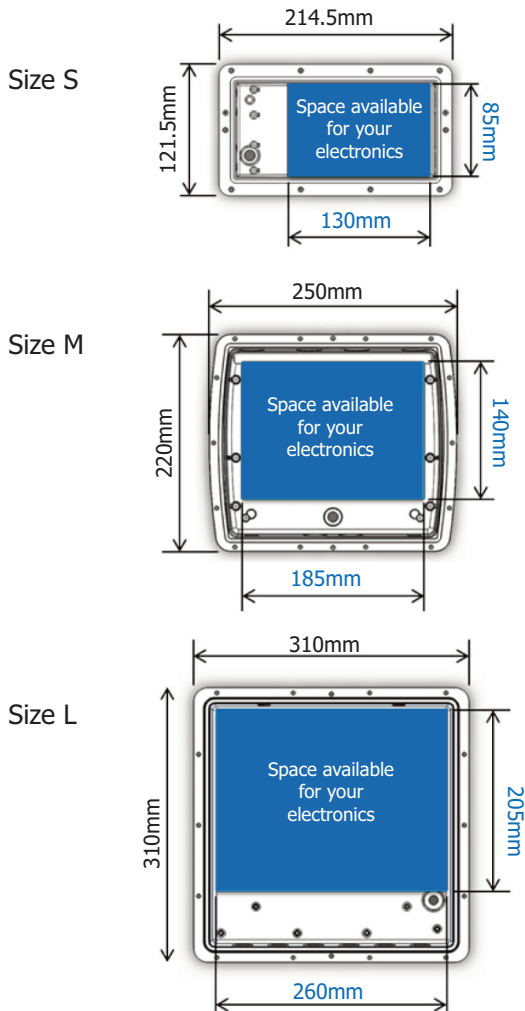


1. Choose your platform for your electronics

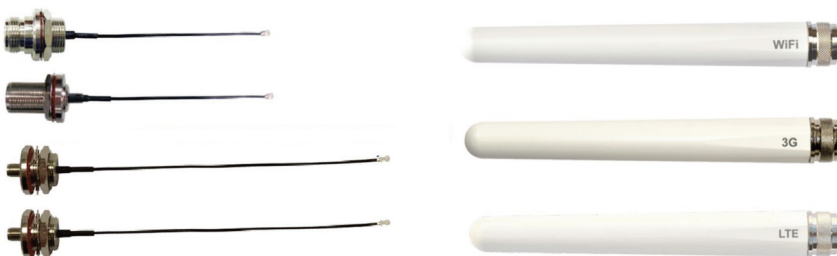


2. Choose your power/data comms./monitoring interface



3. Choose your RF interfaces

- Front lock N type assemblies
- Rear lock N types assemblies (including N type for SMA and RPSMA)
- Antenna: LTE, 3G, WiFi



4. Choose your mounting option

Wall and pole mounting brackets

