

Mini-Fit TPA2 Power Connectors

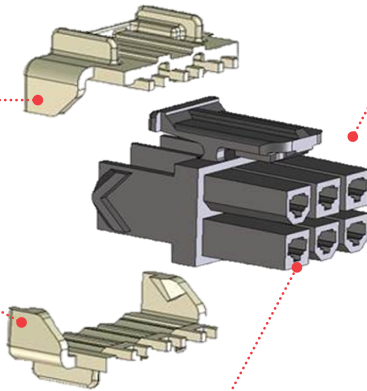


Mini-Fit TPA2 Power Connectors ensure proper mating and prevent accidental terminal back-out while delivering 9.0A current rating in a connector that's compatible with standard Mini-Fit Jr. Headers

Features and Advantages

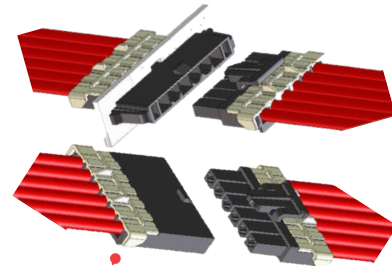
Terminal position assurance (TPA) feature with secondary locking feature

Reduces assembly error and ensures terminals are fully seated and will not back out



Positive-lock receptacle

Ensures mated connector assemblies will not accidentally disengage. Provides audible click while mating

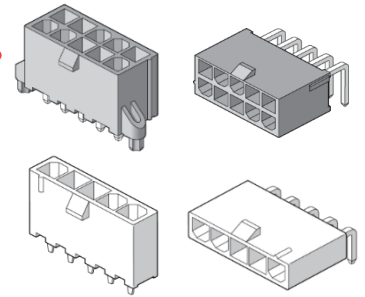


Fully isolated header pins and plug and receptacle terminals

Protects contacts against potential damage during handling and mating

Compatible with existing Mini-Fit Jr. Headers and Plugs

Enables running-change implementation to incorporate the TPA2.0 design. Removes the need to change both sides of the interface or to make significant revisions or investments in applications



Applications

Consumer/Home Appliances

Data/Communications

Office equipment

Automotive

Harness manufacturers

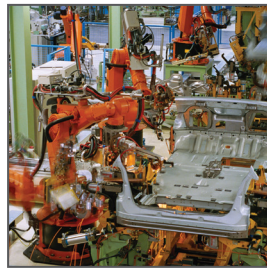
Non-sealed applications

Inside devices

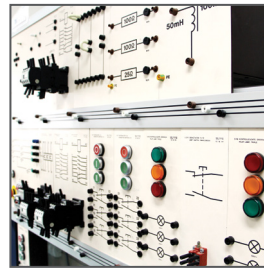
Industrial Automation

Equipment

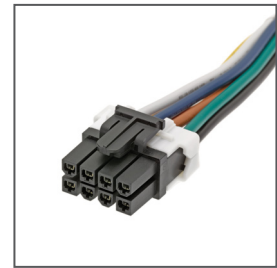
Networks



Industrial Automation: Equipment



Industrial Automation: Networks



Mini-Fit TPA2 Receptacle

Mini-Fit TPA2 Power Connectors



Specifications

REFERENCE INFORMATION

Packaging: See Product Specs
UL File No.: E29179
CSA File No.: LR19980
Mates With: All Mini-Fit
Terminal Used: Series 172718, 172765 and 203070
Designed In: (Millimeters)
RoHS: Yes
Halogen-Free: Low
V-O: Yes
Glow-Wire Compliant: Available Yes

ELECTRICAL

Voltage (max.): 600V AC/DC
Current (max.): 9.0A
Contact Resistance: 10 milliohm
Change from initial
Dielectric Withstanding Voltage: 2200V
Insulation Resistance (min.): 1000 Megohms

MECHANICAL

Contact Insertion Force: 15N (3.4 lbf)
Contact Retention to Housing: 30N (6.74 lbf)
Mating Force: 14.7N (3.3lbf)
Unmating Force: 1.0N (0.22 lbf)
Thumb Latch Yield Strength (min.): 60N (13.5 lbf) (V-0)

PHYSICAL

Pitch: 4.20mm
Wire Gauge: 16 to 24 AWG
Flammability: UL 94V-0 and Glow Wire
Housing: Nylon
Contact: Brass or Phosphor Bronze
Plating: Tin and Gold available
Operating Temperature: -40 to +105°C

Ordering Information

Series No.	Component	No. of Rows
172708	Receptacle	Dual
172709	TPA	Single and Dual
200453	Receptacle	Single
200471	Plug	Single
172762	Free-Hanging Plug	Dual
172767	Panel-Mount Plug	Dual
200488	Panel-Mount Plug	Single
45135	TPA Cable Assembly	Single and Dual
203070	Male Terminal	N/A

www.molex.com/minifittpa2.html

Molex is a registered trademark of Molex, LLC in the United States of America and may be registered in other countries; all other trademarks listed herein belong to their respective owners.