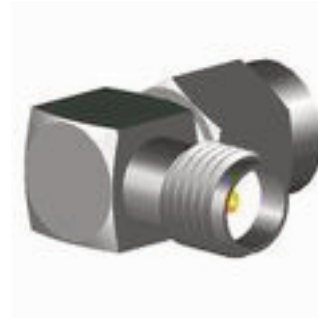
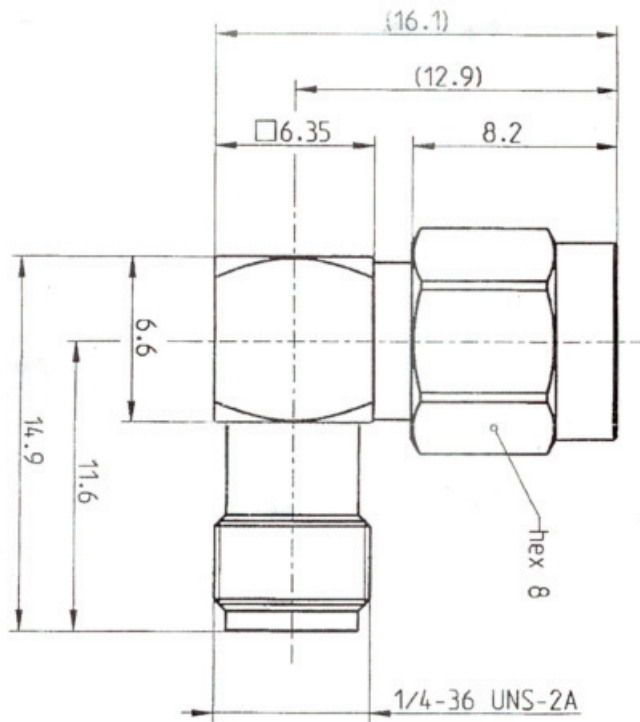


SMA Male / SMA Female Adaptor



Material:

Body – Brass Nickel Plated
Center Contact – Brass Gold Plated
Insulator – PTFE