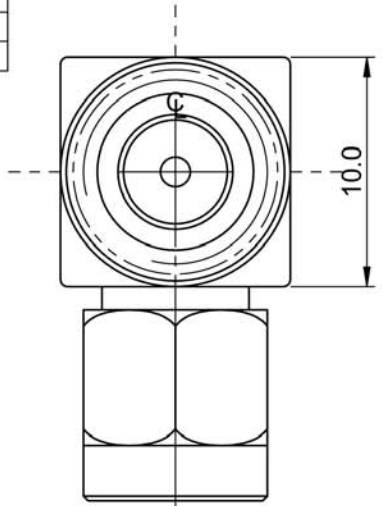
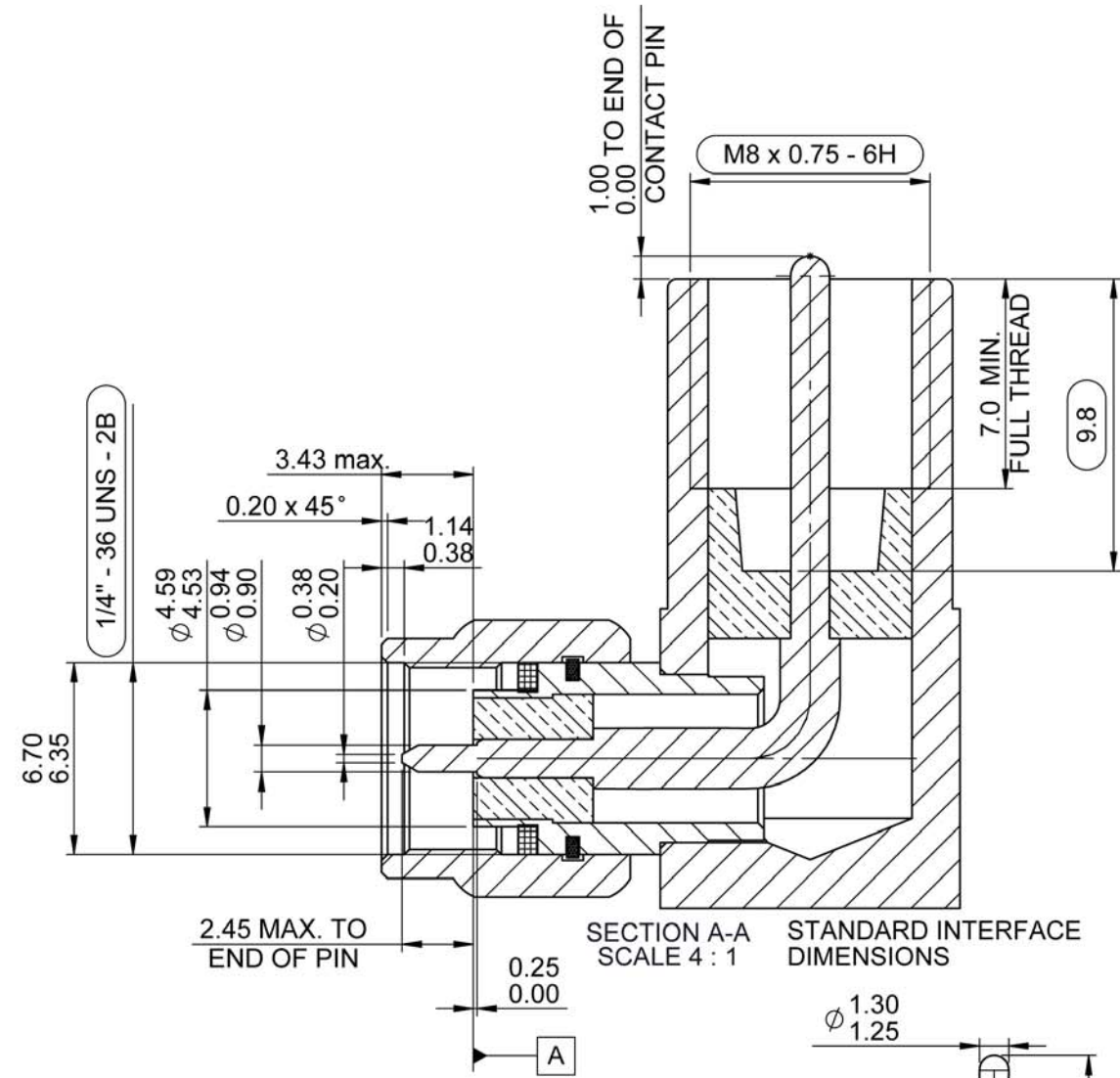
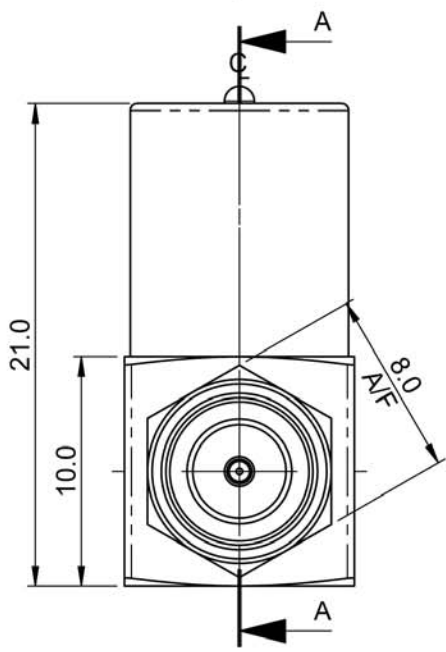


1	2	3	4	5	6	7	8
				DWG. No. NI-128			
TOLERANCES UNLESS OTHERWISE STATED							
0 DEC. PLACE ±0.5		2 DEC. PLACES ±0.1					
1 DEC. PLACE ±0.2		ANGULAR ±1°					

© 2015 A3

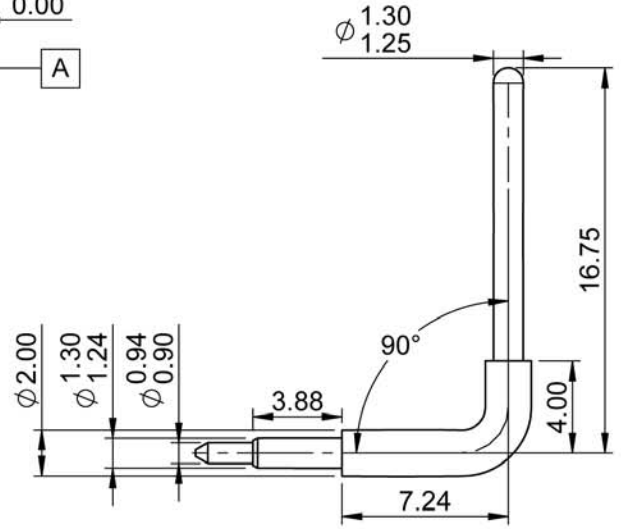
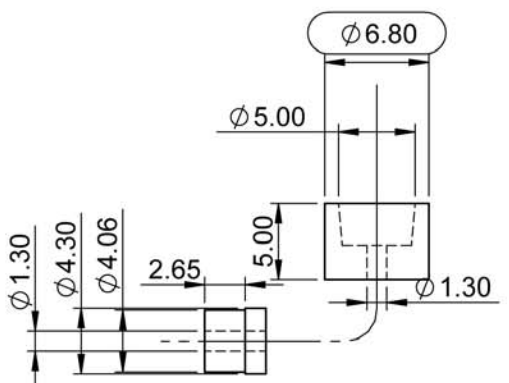
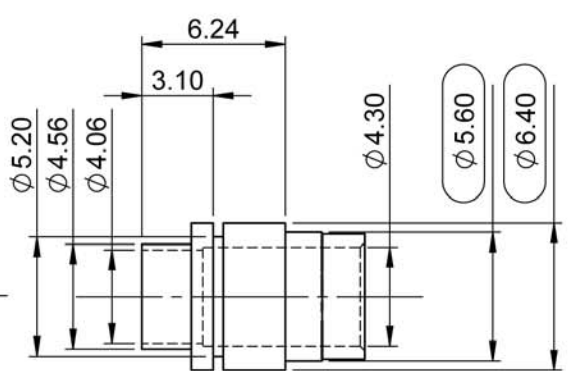
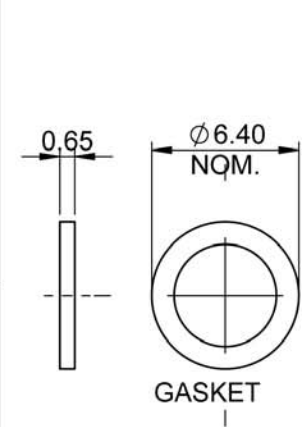


NOTE:
POSITION OF CONTACT PIN END TO BE MEASURED WITH HEX. SHELL PULLED TO THE LEFT.

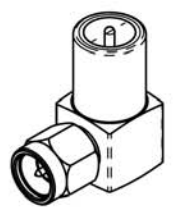


NOTES:

1. IMPEDANCE 50Ω.
2. CONTACT PIN MUST REMAIN CAPTIVE AFTER ASSEMBLY OF ADAPTOR.
3. FINAL CONNECTOR ASSEMBLY MUST CONFORM TO STANDARD INTERFACE DIMENSIONS SHOWN.
4. MATERIALS:
ALL METAL PARTS: BRASS CW603N (CuZn36Pb3), OR APPROVED EQUIVALENT.
INSULATOR: PTFE.
GASKET: SILICONE RUBBER.
5. FINISH:
ALL METAL PARTS: GOLD (0.127μm MIN.) OVER NICKEL (1.27μm MIN.) OVER COPPER (1.27μm MIN.) - FINISHED PLATING THICKNESS 2.5-3.0μm.
INSULATOR: SMOOTH MACHINED
GASKET: NATURAL
6. ALL THREADS TO BE FREE FROM RESTRICTION ALONG ENTIRE LENGTH AFTER PLATING.
7. ALL DIMENSIONS APPLY AFTER PLATING.



ISO VIEW
SCALE 1:1



01019	1	PRODUCTION ISSUE	09/02/2015	IC
PCN	REV.	DESCRIPTION OF CHANGE	DATE	DRAWN
REVISIONS				

PRODUCT/ASSEMBLY	ADAPTORS				DESCRIPTION				SMA(m) - FME(m) RIGHT ANGLE ADAPTOR				
MATERIAL	SEE NOTES				APPROVED	KD	D.O. CHECK	PE	SCALE	3:1	DIMENSIONS IN mm		
FINISH	SEE NOTES												
WEIGHT	12.37g				SHEET 1 OF 1								