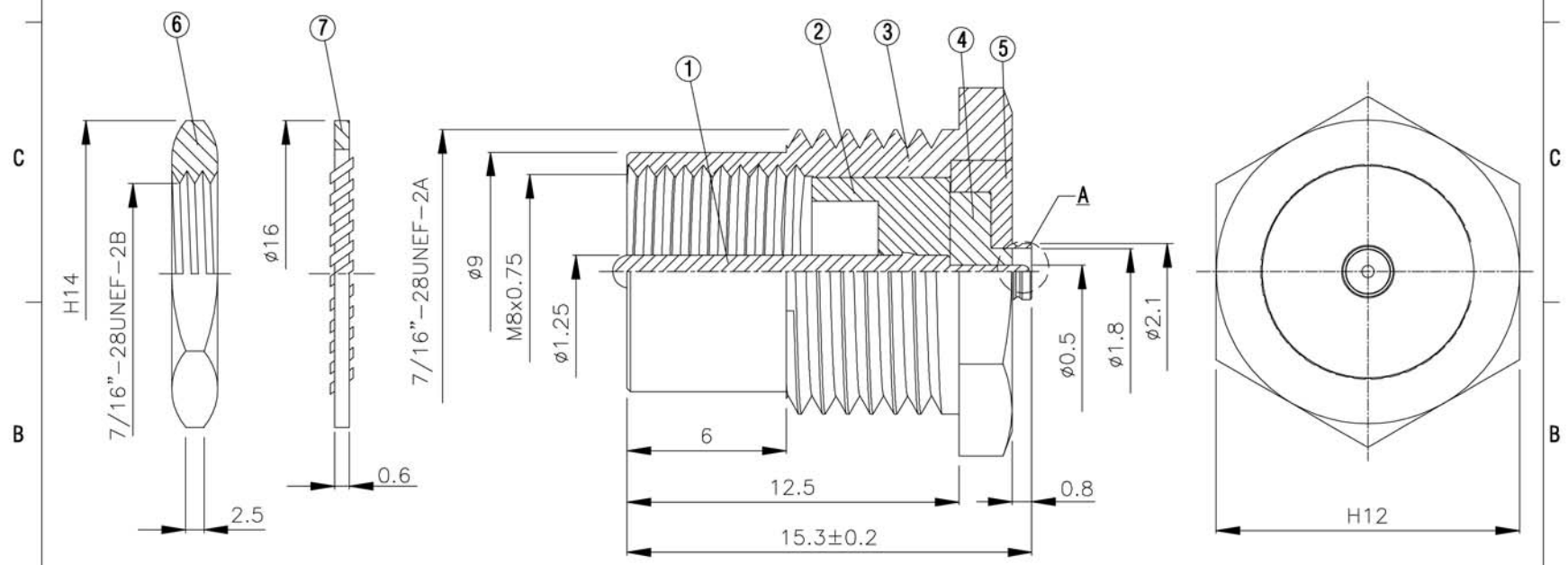
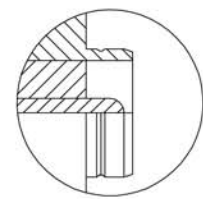


NO	DESCRIPTION	MATERIAL	Q'TY	FINISH	REMARK
1	PIN	BRASS	1	GOLD	P-FME0397-G
2	INSULATION 1	TEFLON	1	DELTRIN	I-0066D
3	BODY 1	BRASS	1	NICKEL	B-FME0194-N
4	INSULATION 2	TEFLON	1	TEFLON	I-0027T
5	BODY 2	BRASS	1	GOLD	B-FME0187-G
6	NUT	BRASS	1	NICKEL	N-0017-N
7	WASHER	BRASS	1	NICKEL	W-0028-N

VIEW A



A	MC1213 ADAPTER 835		DRAWN	DATE	DIMENSIONS ARE IN MILLIMETERS			REVISION	
	TITLE		CHECKED	DATE	UNLESS OTHERWISE SPECIFIED TOLERANCE			DESCRIPTION	ENGINEER
			Q.A.	DATE	0.5-5=±0.2	120-315=±1			
	PART NO.		APPROVAL	DATE	5-30=±0.4	315-1000=±1.6			
			REVISION	DATE	30-120±0.6	1000-2000=±2.4			
DRAWING NO.				SCALE	4:1	SIZE	A		