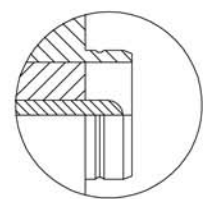
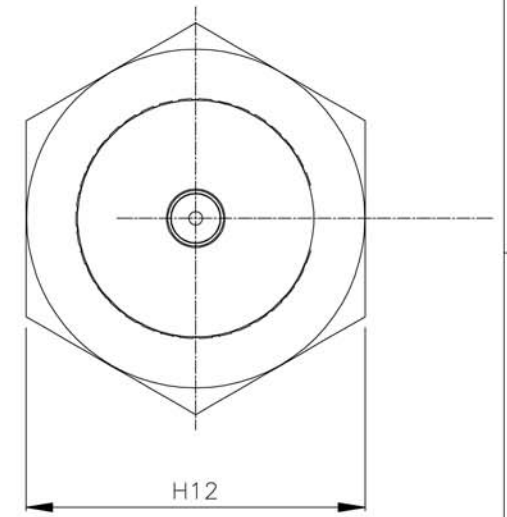
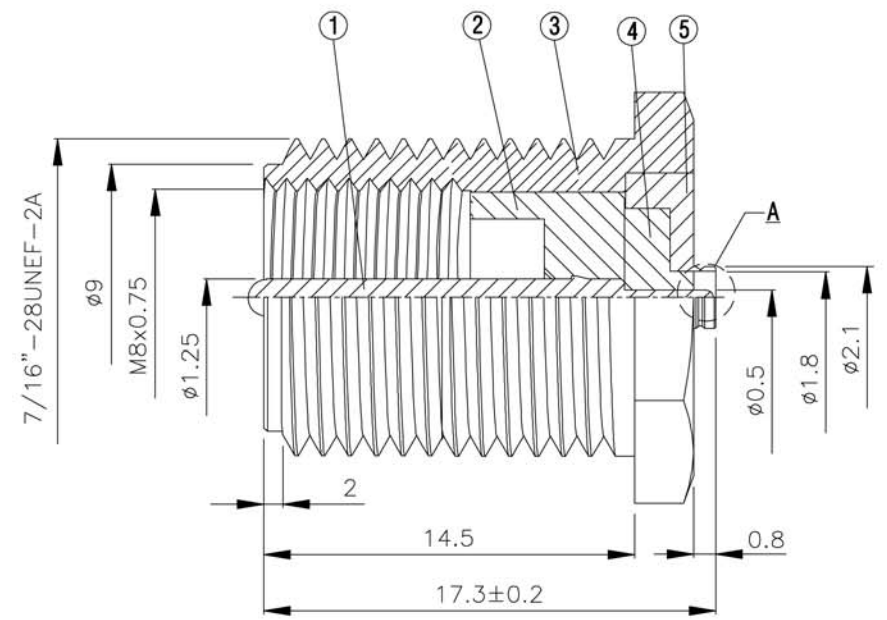


NO	DESCRIPTION	MATERIAL	Q'TY	FINISH	REMARK
1	PIN	BRASS	1	GOLD	P-FME0122-G
2	INSULATION 1	TEFLON	1	TEFLON	I-0026T
3	BODY 1	BRASS	1	NICKEL	B-FME0194-N
4	INSULATION 2	TEFLON	1	TEFLON	I-0027T
5	BODY 2	BRASS	1	GOLD	B-FME0187-G

VIEW A



D  
C  
B  
A



D  
C  
B  
A

	<b>MC1213 ADAPTER 834</b>	DRAWN	DATE	DIMENSIONS ARE IN MILLIMETERS		REVISION	
	TITLE	CHECKED	DATE	UNLESS OTHERWISE SPECIFIED TOLERANCE		DESCRIPTION	ENGINEER
	PART NO.	Q.A.	DATE	0.5-5=±0.2	120-315=±1		
	DRAWING NO.	APPROVAL	DATE	5-30=±0.4	315-1000=±1.6		
		REVISION	DATE	30-120±0.6	1000-2000=±2.4		
				SCALE 4:1	SIZE A		

4 3 2 1