

Smart Meter Antenna MC0114613

698-960 / 1710-2700 MHz
700/800/900/1800/1900/2100/2400/2600 MHz

GSM/UMTS/WLAN/LTE



Technical Data:

Electrical Data

Frequency Range (MHz)	800-960 /1710-2700
Typical Peak Gain: Isotropic ±	2dBi
Polarisation	Vertical
Pattern	Omni-directional
Impedance	50Ω
Max input power (W)	10

Mechanical Data

Height	122 (4.8")
Dimensions (mm) Length	48 (1.89")
Depth	6.5 (0.25")
Operating Temp (°C)	-30° / +70°C (-30° / 158°F)
Material	Flame Retardant ABS Plastic
Colour	RAL 7047- Grey

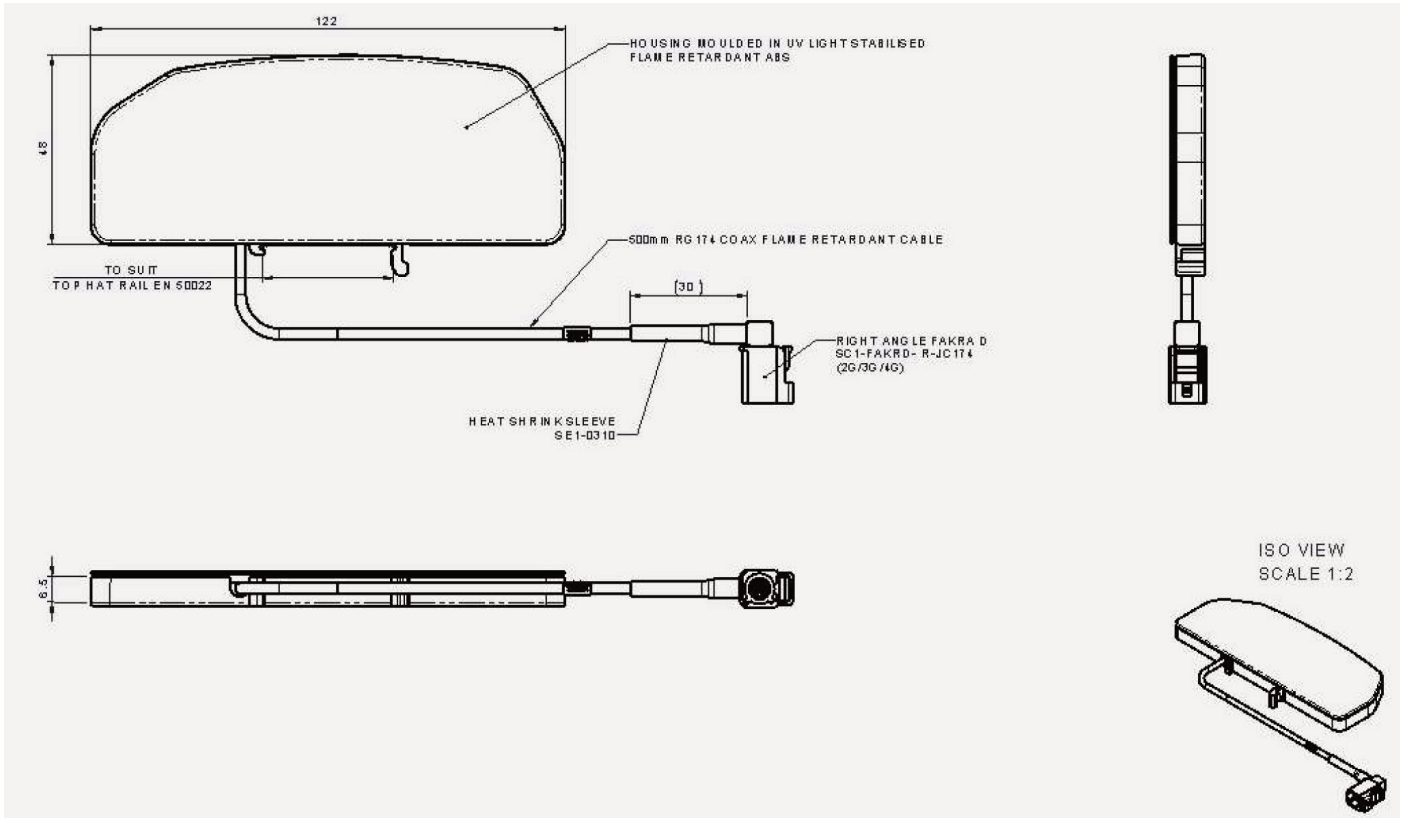
Mounting Data

Fixing	EN50022 Rail Mount
--------	--------------------

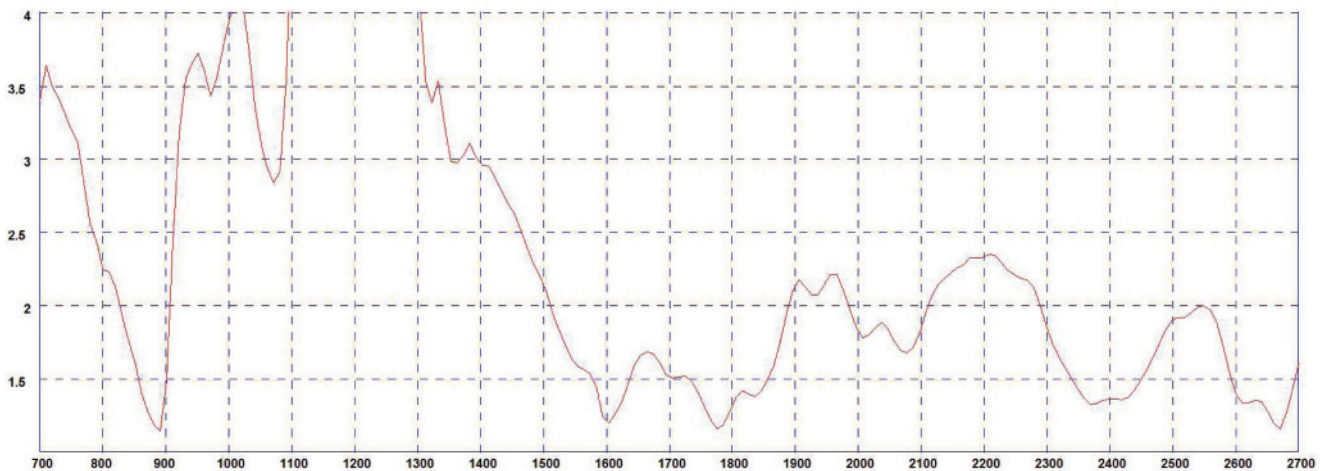
Cable Data

Cable Type	Flame Retardant RG174
Diameter (mm)	2.8 (.1")
Length (m)	0.5(1.5')
Min Bend Radius (mm)	6.35
Termination	R/A FAKRA D Jack

Smart Meter Antenna MC0114613



Typical VSWR*



*VSWR measured mounted on meter in cabinet in free space with 0.5m of RG174 cable