

Smart Meter Antenna MC0114612

698-960 / 1710-3800 MHz

GSM/UMTS/WLAN/LTE/M-Bus



Technical Data:

Electrical Data

Elements:	Element 1 (LTE) / Element 2 (M-Bus)
Frequency Range:	Elements 1 & 2 698-960/1710-3800 MHz
Typical Peak Gain:	Elements 1 & 2 1.5dBi
Isotropic	Elements 1 & 2 4.5dBi
	Elements 1 & 2 5.0dBi
Pattern:	Omni-directional
Nominal Impedance:	50Ω
Max input power:	20W

Mechanical Data

Dimensions	Height:	49mm
	Length:	150mm
	Width:	45mm
Operating Temperature:		-30°C to +70°C
Material:		UV Stable ASA Plastic
Colour:		Black
Typical Weight:		337g

Mounting Data

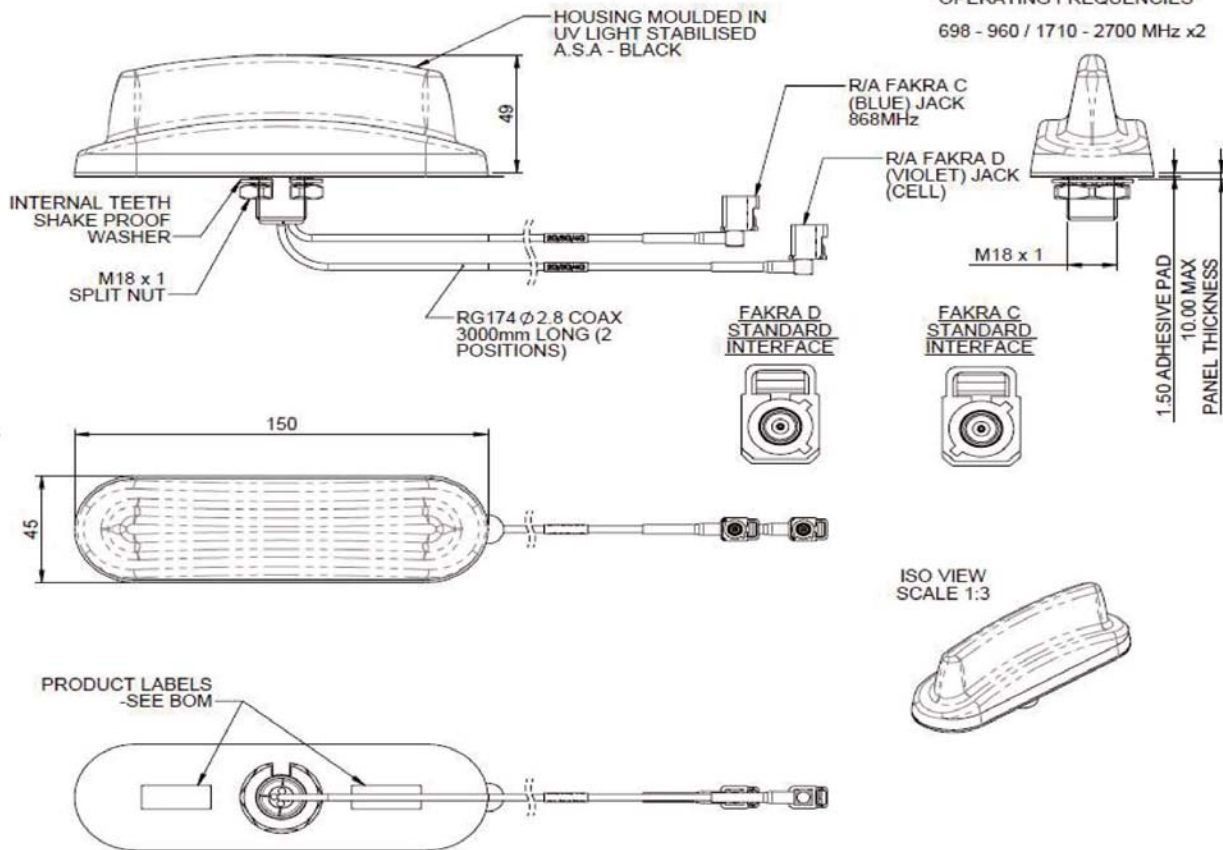
Fixing:	18mm (3/4") mounting bush and acrylic adhesive pad
---------	--

Cable Data

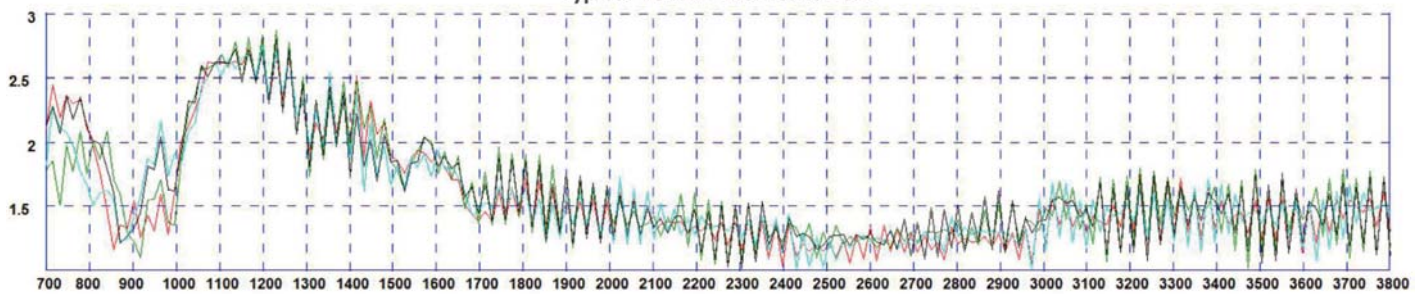
Cable Type:		RG174
Element 1:	Diameter	2.8mm
	Length	3m
	Termination	FAKRA D Jack
Element 2:	Diameter	2.8mm
	Length	3m
	Termination	FAKRA C Jack

Smart Meter Antenna MC0114612

OPERATING FREQUENCIES
698 - 960 / 1710 - 2700 MHz x2

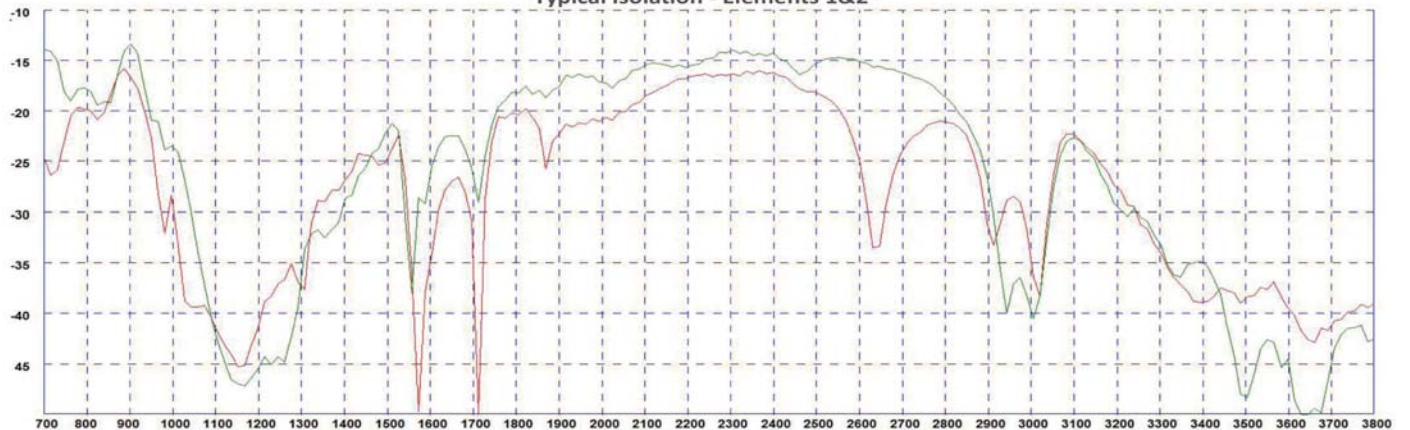


Typical VSWR - Elements 1&2*



* VSWR measured with 3m (10') of RG174 cable Green and Red Plots = Elements 1&2 in free space Black and Blue plots = Elements 1&2 on a 400x400mm ground plane

Typical Isolation - Elements 1&2*



* Isolation measured with 3m (10') of RG174 cable Red Plot = mounted on a 400x 400mm (1' 4" x 1' 4") ground plane Green Plot = free space

Smart Meter Antenna MC0114612

Typical 3D Radiation Patterns - Cell / LTE Elements 1&2

