

MC0114602

Antenna for the train, indoors

WLAN 2.4 - WLAN 5.8



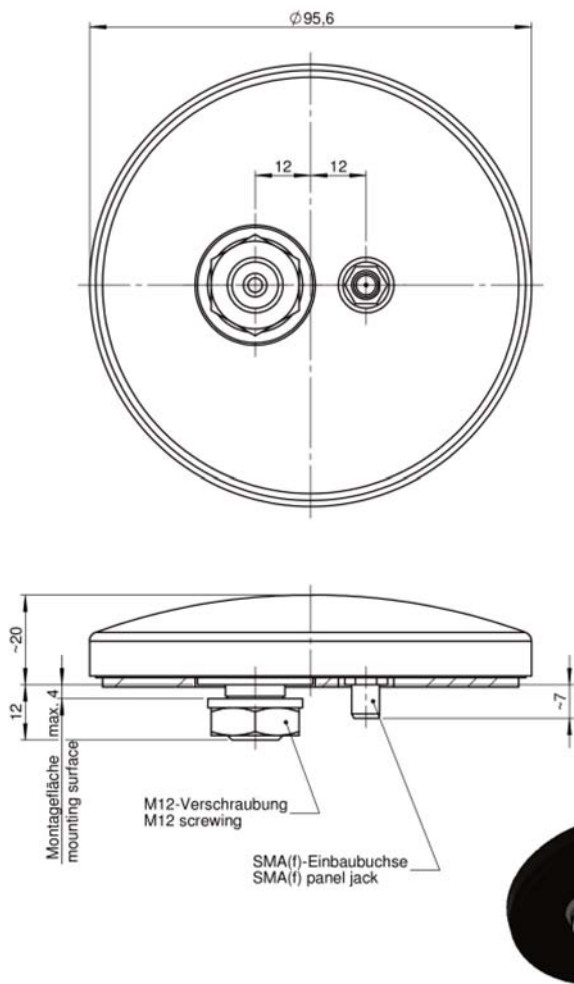
Technical data

RF-Port:	Ⓐ
Spectrum:	WLAN / WiFi
Frequency [MHz]:	2400 - 2500 5180 - 5835
Polarization:	circular
Pattern:	omnidirectional
Gain:	9,5 dBi typ.
Average gain*:	5 dBi
Efficiency:	97 %
VSWR:	≤ 1,8 typ.
Antenna type:	Patch antenna
Power / DC Voltage:	50 W
RF-Connection:	SMA(f)
Ground-plane:	integrated
Size:	Ø 97mm / H 20mm
Mounting:	Mounting thread - 12 mm length M12x1 but drilled hole 13,5 mm
Color:	Black
Weight:	approx. 110g
Temperature range:	-40°C to +80°C
Max. torque:	3,5 Nm
Degree of Protection:	Plastic case UV-resistance, waterproof
Certification:	EN45545-2, DIN 5510-2, NF F 16-102, EN50155, IEC 61373 (ECE R118*) * in testing, will be submitted

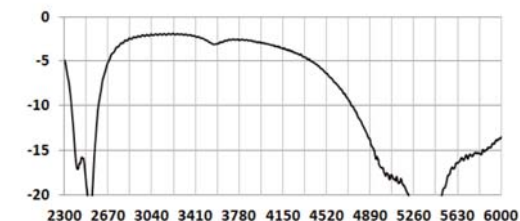
MC0114602

Antenna for the train, indoors

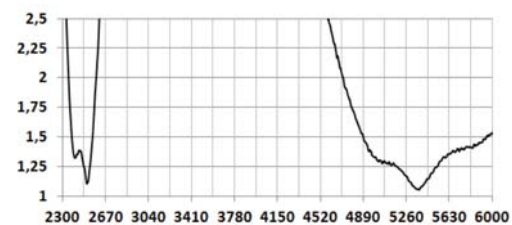
WLAN 2.4 - WLAN 5.8



Return loss



VSWR



Frequency range	WLAN 2.4	WLAN 5.8
3D-Pattern		
2D-Pattern (vertical)		
2D-Pattern (horizontal)		