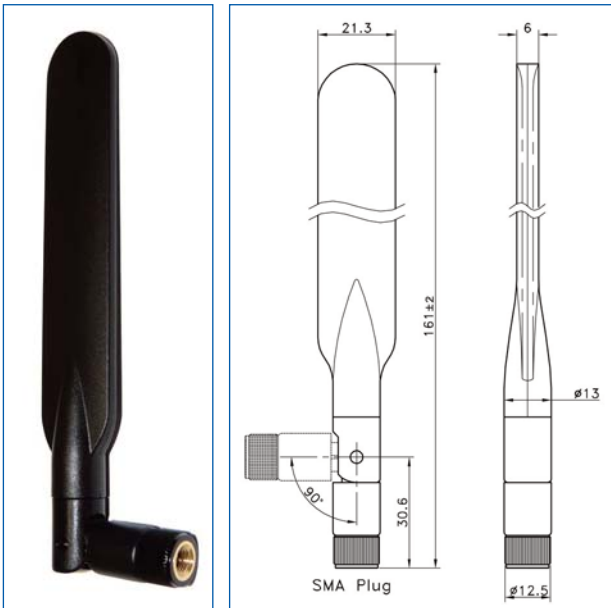


MC0114531 LTE Antenna

Omni-directional GSM / UMTS / 3G / LTE

GSM/ISM/UMTS/LTE

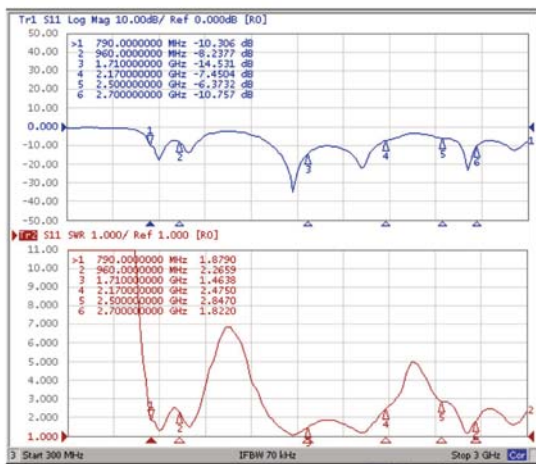


Technical data:

Frequency: GSM 790 - 960 MHz
 GSM+UMTS 1710 - 2170 MHz
 LTE 2500 - 2700 MHz

Gain: 0 / 1 / 3 dBi
 Impedanz: 50 Ohm
 VSWR: ≤ 3.0
 Polarization: vertical
 Radiation: omni directional
 Direction: two step break (45°/90°)
 Radome Material: PC
 Temp. range: -20°C to +65°C
 Weight: 26 g
 Dimensions: 161 mm x 21.3 mm
 Connector: SMA (male)

Return loss / V.S.W.R



PATTERN

