

Mobile Broadband Antenna MC0114531-A

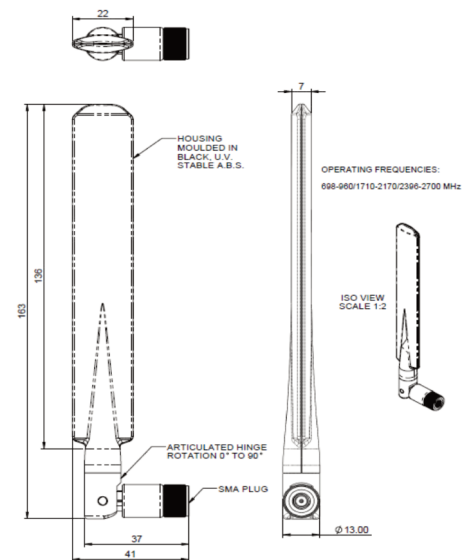
698-960/1710-2170/2396-2700 MHz
LTE 700, GSM850 / CDMA850, GSM900, GSM1800,
PCS1900, 3G UMTS, AWS, LTE/WIMAX2600



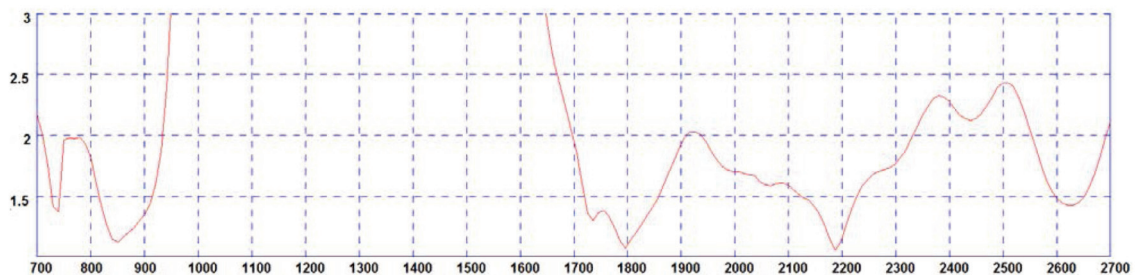
GSM/UMTS/WLAN/LTE

Technical Data:

Frequency Range: 698-960, 1710-2170, 2396-2700 MHz
 Operational Band: LTE 700, GSM850 / CDMA850, GSM900, GSM1800, PCS1900, 3G UMTS, AWS, LTE/WIMAX2600
 Typical VSWR: <2.5:1
 Peak Gain: Isotropic 2dBi
 Compared to 1/4 wave: 0dB
 Polarisation: Vertical
 Pattern: Omni-directional
 Impedance: 50Ω
 Max Input Power: 10W
 Dimensions: Length 163mm
 Width 22mm
 Thickness 7mm
 Material: ABS
 Operating Temperature: -40°C to +80°C
 Colour: Black
 Connector: SMA (male)

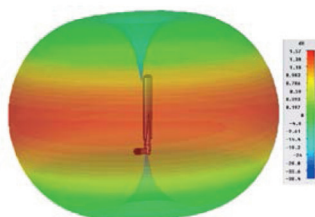


Typical VSWR*

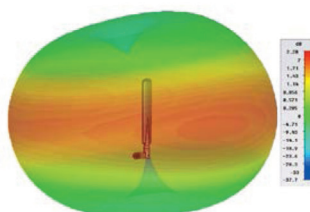


* VSWR measured in free space

Typical 3D Plot (800MHz)



Typical 3D Plot (1800 MHz)



Typical 3D Plot (2700MHz)

