

MC0114526-MAG LTE Multiband antenna

698-960 MHz/1710-2700 MHz

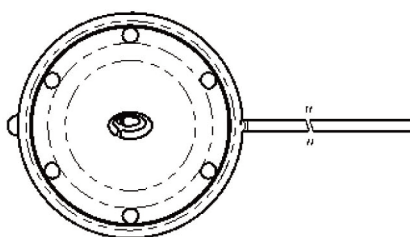
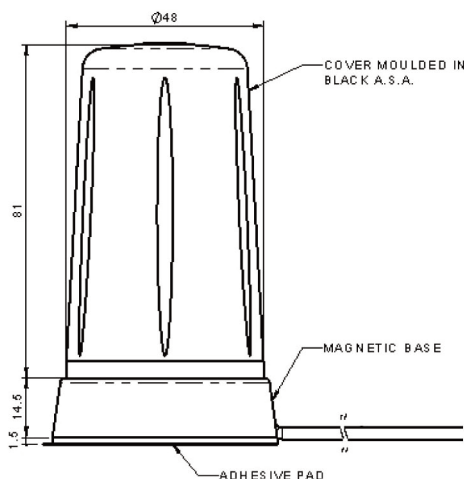
GSM/UMTS/LTE/WLAN



Technical Data:



Frequency Range:	698-960 MHz 1710-2700 MHz
Operational Bands:	GSM 700/800/900/1800/1900/ 2100/2400/2600/3500
Typ VSWR:	<2.5:1
Peak gain:	5dBi
Polarisation:	Vertical
Pattern:	omni-directional
Impedance:	50Ω
Max. Input power:	25W
Operating Temperature:	-40° / +80°C
Size:	H 95mm x Ø 48mm
Weight:	150g
Material:	UV stable ASA & Aluminium
Fixing:	Magnetic Mount
Cable Length:	2m Low Loss
Termination:	SMA (male)
Protection:	IP64



Typical VSWR*

