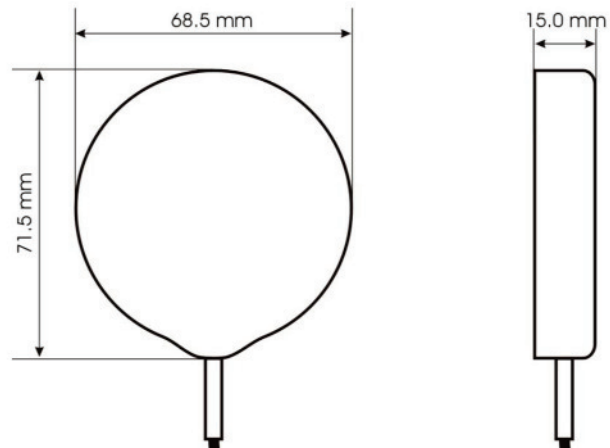


MC0114145 magnet antenna, IP68

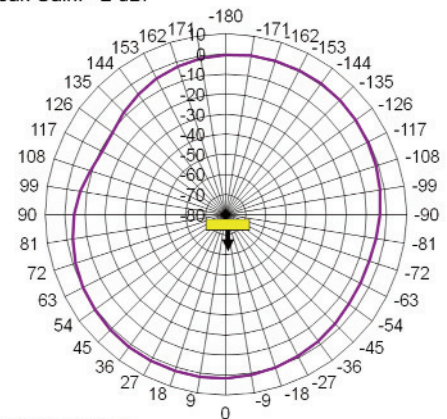
Magnet antenna for GSM 900/1800 waterproof



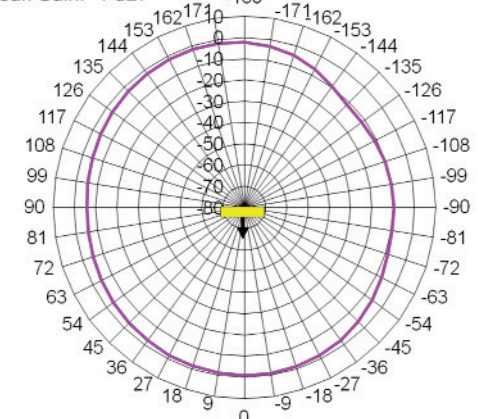
- Magnet mounting antenna waterproof IP68
- 3 Neodym magnets for optimal fixing
- RoHS-and REACH-conform

Radiation diagram (typ.)

GSM 900 MHz
Peak Gain: +2 dBi



GSM 1800 MHz
Peak Gain: -1 dBi



TECHNICAL DATA:

GSM:

FrequencyRange: 900/1800 MHz
 VSWR*: < 2.0 typ.
 Peak Gain*: +2 dBi typ. (900 MHz)
 -1 dBi typ. (1800 MHz)
 Power max.: 10 W

* Measured with 0.6m cable on 30x30cm ground plane

Dimensions and connectors:

Dimensions (Ø x H): approx. 70 x 15 mm
 Temperature Range: -40°C to +85°C (operating temperature)
 Connection (Standard): approx. 3m cable RG174 with GSM/FME(f)
 (other lengths or connectors on request)