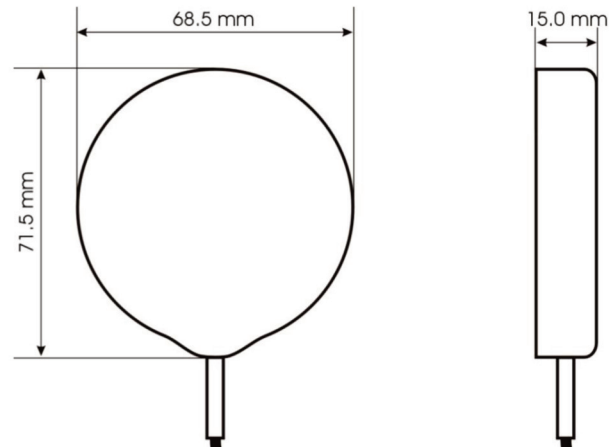


MC0114145-SMA-ST magnet antenna, waterproof

Magnet antenna for GSM 900/1800 waterproof

GSM

This planar antenna of the latest technology offers you decisive advantages:

- Installation inside or outside the car possible
- No changes at the car-body
- Low cost installation, by magnet mount- no tools needed
- Suitable for DIY – installation
- Installation is possible on all metallic parts of the car
- Hidden installation under linings possible, by waterproof housing

TECHNICAL DATA:

GSM:

frequency range: 900 / 1800 MHz
VSWR: < 2,0 typ
Gain: 1,0 dB typ
Power max.: < 20 watt

Dimensions and connectors:

Dimensions (DxH): approx. 68 x 14 mm
Temperature range: -40 to +105 °C
Connection: 3m RF - cable RG 174 with connectors GSM/SMA(m)
(other cable-lengths or connectors on request)