

MC0114145-LTE Magnet antenna

**GSM 850/900/1800/1900 MHz / UMTS /
LTE Band: 1/2/3/4/5/8/25/26 incl. 7/13/20**

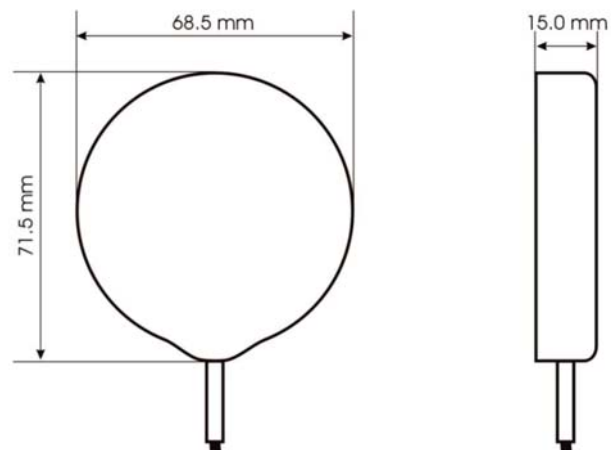


GSM/UMTS/LTE

IP68

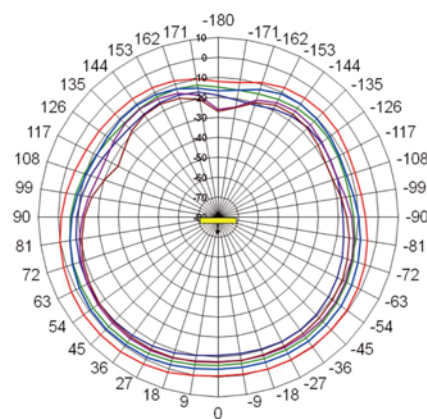


**made
in
Germany**

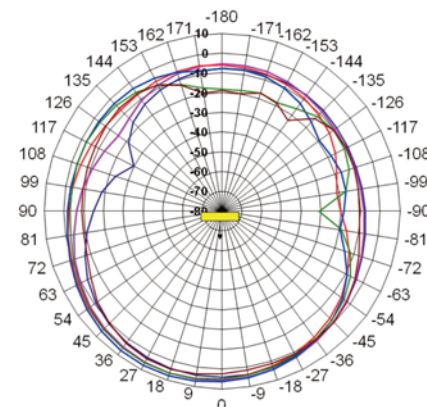


- Magnet mounting antenna
- Waterproof IP68
- 3 Neodym magnets for optimal fixing
- RoHS-and REACH-conform

Radiation diagram (typ.)*



GSM 900 MHz
Peak Gain: +3 dBi



GSM 1800 MHz
Peak Gain: +4 dBi

TECHNICAL DATA:

GSM:

Frequency Range: 850/900/1800/1900/2100 MHz
LTE Band: 1,2,3,4,5,8,25,26
inkl. LTE Band 7,13,20

VSWR*: < 2.0 typ.

Peak Gain*:
-1 dBi typ. (800 MHz)
+2 dBi typ. (900 MHz)
+3 dBi typ. (1800 MHz)
+1 dBi typ. (2100 MHz/UMTS)
+1 dBi typ. (2600 MHz)

Power max.: 10 W

* Measured with 0.6m cable on 30x30cm ground plane

Dimensions and connectors:

Dimensions (Ø x H): approx. 69 x 15 mm
Temperature Range: -40°C to +85°C (operating temperature)
Connection (Standard): 3m cable RG174 with GSM/SMA (m)
(other lengths or connectors on request)

* Measured with 0.6m cable on 30x30cm ground plane