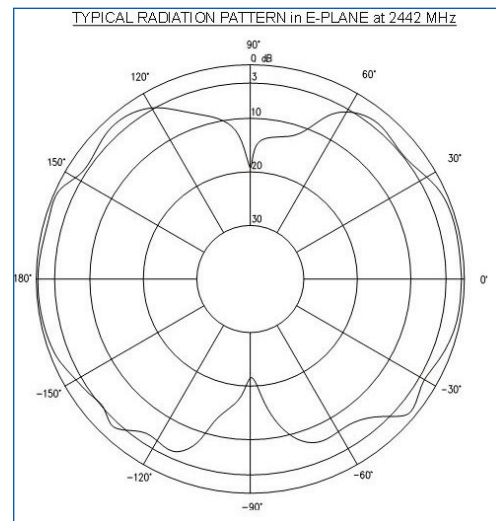


# MC0114124 WLAN Antenna

## OMNIDIRECTIONAL ANTENNA WIRELESS LAN

**WLAN**



### SPECIFICATIONS

Colour: White  
 Net weight (g): 350  
 Dimensions (mm): 103x Ø16  
 Temperature (°C): -30° - +80°

### TECHNICAL DATA WIRELESS LAN

Antenna type: 1/4 l Mobile Antenna  
 Frequency range: 2400 ÷ 2485 MHz  
 Impedance (Ohms): 50  
 Max power (W): 20  
 V.S.W.R.: less than 1.5  
 Beamwidth horizontal: H plane omnidirectional  
 360°  
 Beamwidth vertical: E plane 50°  
 Polarization: Vertical  
 Emission: Omnidirectional  
 Gain (dBi): 2.14  
 Return loss (dB): < -12

