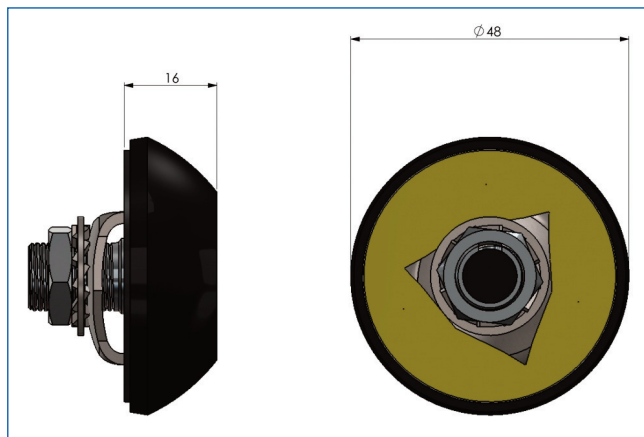


# MC0114080-2-2,5-FME mounting antenna IP65

## GSM 900/1800 MHz

**GSM**



### Technical Specifications:

Frequency	890 - 960 MHz, 1710 - 1880 MHz (GSM900/1800)
Impedance	50 ohm
Polarisation	Linear
Gain	0 dBd, 2.1 dBi
VSWR	> 2
Max. Power	5 W

### Mechanical Specifications:

Color	Black
Height	15 mm
Diameter	47 mm
Weight	100 g
Mounting	Bolt-on with adhesive tape for effective sealing
Materials	ABS, PE, brass and PCB
Connector	FME (female)
Cable	2,5m RG174
Mounting place	On vehicle roof or on M2M equipment
Mounting hole	13 - 20 mm
Build-in depth	Approx. 17 mm
Ingress Protection	IP65 (When mounted)