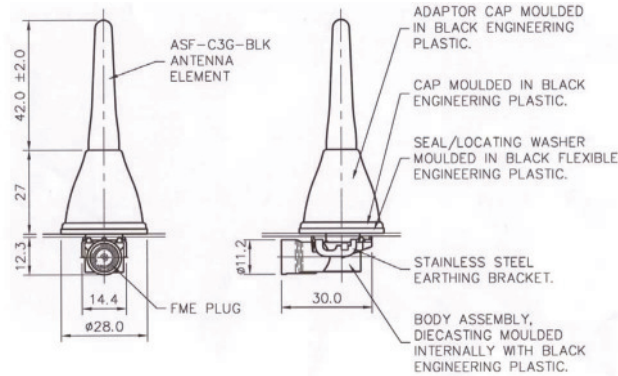


# MC0114079-A - Multiband antenna

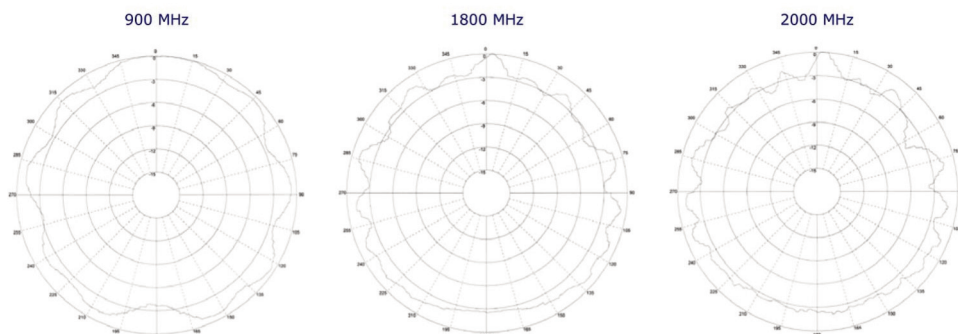
**805-880/890-960/1710-1880/1850-1990/1900-2170 MHz**

**GSM/ISM/UMTS**



## Specifications

Frequency	805 - 880 MHz 890 - 960 MHz 1710 - 1880 MHz 1850 - 1990 MHz 1900 - 2170 MHz
VSWR	$T_x \leq 1.5:1$ , $R_x \leq 2:1$
Gain: Isotropic	2dBi
Compared with ¼ wave	0dB
Polarisation	Vertical
Length of Whip	50 mm
Height of Whip Mounted	70 mm
Operating Temperature	-40°C to +80°C
Whip Material	Stainless Steel
Colour	Black
Fixing	Panel Mount
Connector	FME male



VSWR v Freq (MHz)

