

MC0114078-LTE-W-A GSM/UMTS/WLAN/LTE Antenna

**GSM 850/900/1800/1900 MHz
+ LTE + UMTS + WLAN**

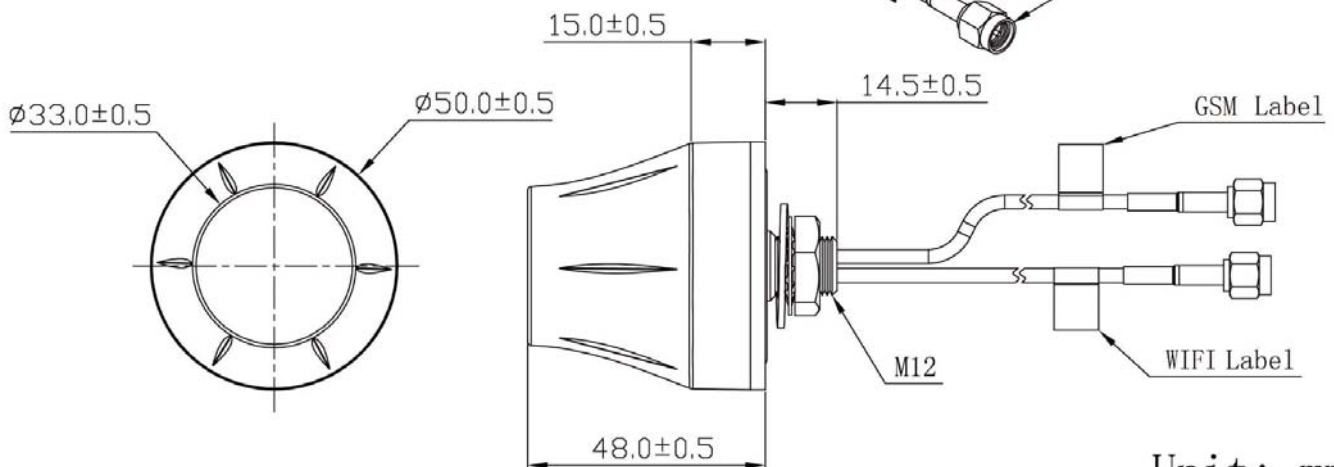
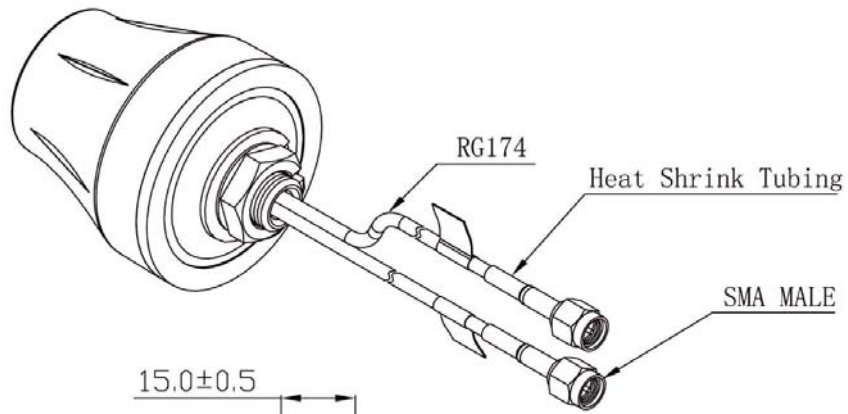


GSM/UMTS/WLAN/LTE



Specifications:

Frequency Range:	680-960/1710-2690 MHz
Polarization:	Linear
Gain:	2dBi / 3dBi (2400-2483.5 MHz)
V.S.W.R (min):	<2.0
Impedance:	50Ω
Cable:	2x 3m RG174
Connector:	2x SMA (male)
Material:	ABS
Mounting Method:	Screw
Operating Temperature:	-40°C to +85°C
Relative Humidity:	Up to 95%
Protection:	IP67 (exclude cable outlet)
Vibration:	10 to 55Hz with 1.5mm amplitude 2 hours
Environmentally Friendly:	ROHS Compliant

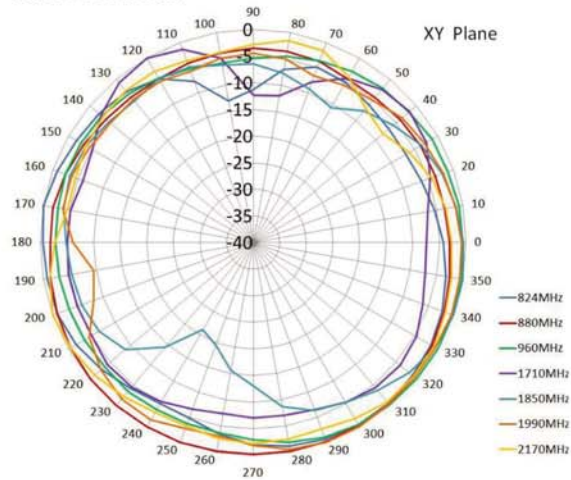


Unit: mm

MC0114078-LTE-W-A

GSM/UMTS/WLAN/LTE Antenna

GSM Antenna



WIFI Antenna

