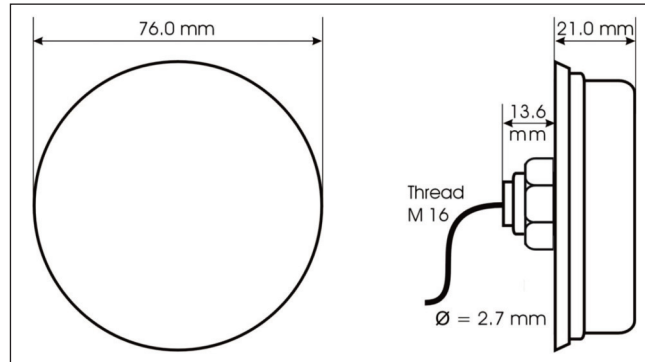


MC0114078-433 ISM Antenna / IP69K

ISM 433 MHz / Roof mount

ISM



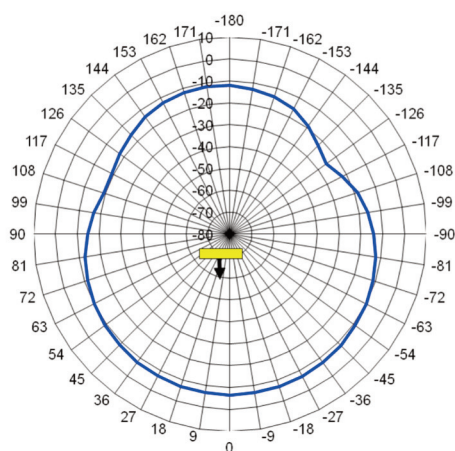
**made
in
Germany**

Technical Data:

FrequencyRange:	433 MHz
VSWR*:	< 2.0 typ.
Peak Gain*:	-6 dBi typ.
Power max.:	10 W
Dimensions(ØxH):	approx 76 mmx 21 mm
Temperature Range:	-40°C to +85°C (operating temperature)
Connection (Standard):	approx 3m cable RG174 with ISM/FME (f) Other cablelengths and connectors on request

* Measured with 0.6m cable on 30x30cm ground plane

Radiation diagram (typ.)*



ISM 433 MHz
Peak Gain: -6 dBi