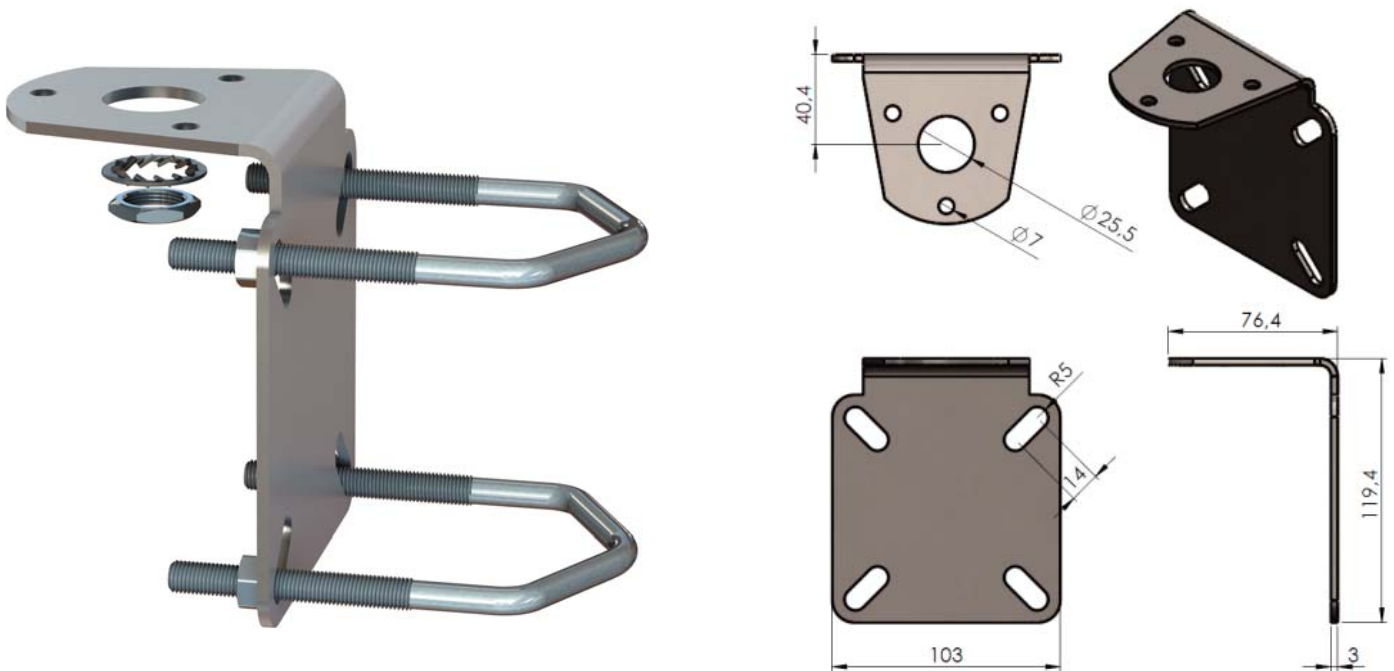


# MC0114065-M-LTE-MAST

## Stainless steel bracket for pole or wall mounting (Ø 25 mm)



- Stainless steel bracket for installation of Marine and Base Station antennas on vertical / horizontal poles or on wall
- It is mounted vertically overhead on side of poles Ø 38 - 75 mm or horizontally on side beams Ø 38 - 75 mm. Optionally it can be mounted on wall
- Fits all Marine and Base Station Antennas with 1"-14NF external threaded base
- Stainless steel hardware included

### Mechanical Specifications:

Color:	Polished stainless steel
Weight:	600 g (Mounting hardware included)
Mounting:	On pole with supplied U-bolts
Materials:	Stainless steel
Mounting place:	On vertical / horizontal pole (Ø 38 - 75 mm) or wall
For Antenna Types:	Marine and Base Station Antennas with 1"-14NF threaded base
Dimensions:	119.4 x 76.4 x 103 mm (3 mm sheet)
Mounting hole:	Ø 25.5 mm