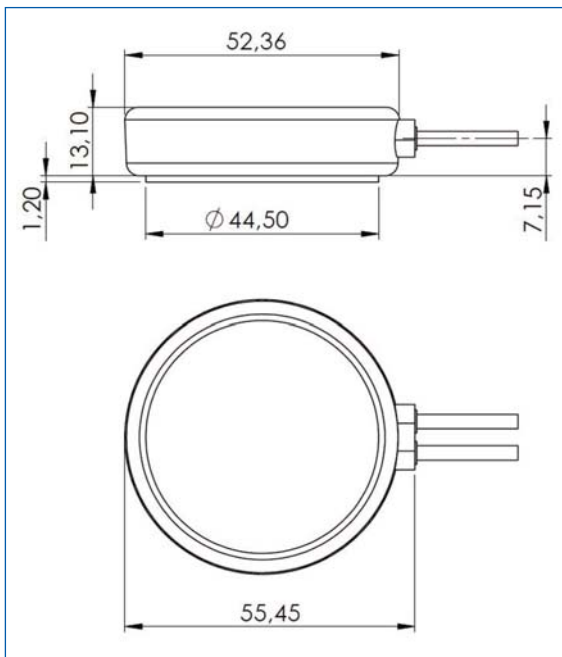


MC0114050-A

magnetic/adhesive antenna

GSM 824-894/900/1800/1900 MHz
1572-1610 MHz / 2.1/2.4 GHz

GSM/GPS/UMTS/ISM/WIFI/BLUETOOTH



Specifications:

Navigation (Cable 1)

Frequencies:	GPS (1575.42 MHz)
Impedance:	50 Ohms
Polarization:	RHCP
LNA Gain:	26dB at 3V, 27dB at 5V
VSWR:	<1.2:1
Voltage supply:	2.7V - 5.5V
Current:	15mA - 25mA
Power (max.):	138mW
Operating temperature:	-40°C to +85°C
Connector type:	SMA male
Cable:	RG174U
Cable length:	300 cm

Mobile (Cable2)

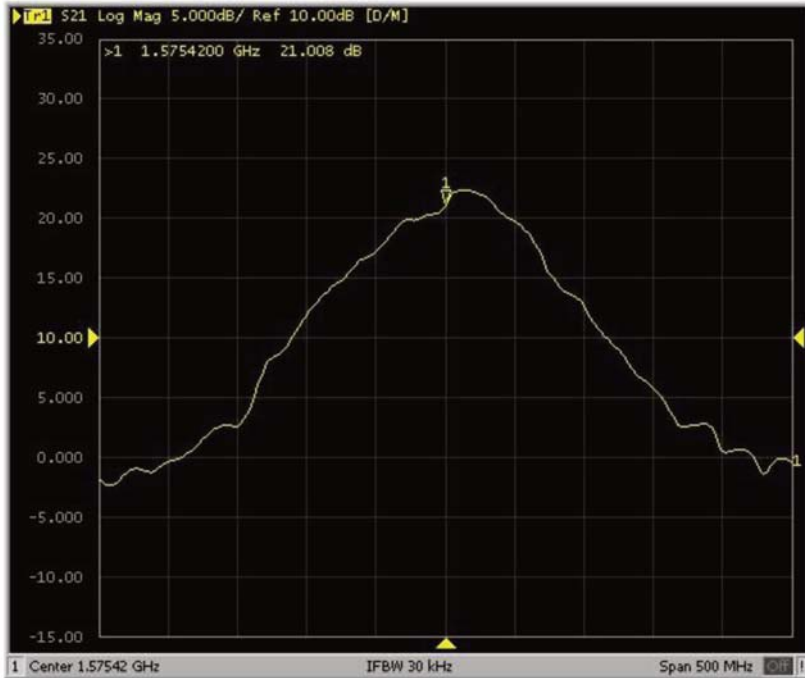
Frequencies:	AMPS (824-894 MHz) ISM (868 MHz) GSM (900 MHz) DCS (1800 MHz) PCS (1900 MHz) 3G (UMTS 2.1 GHz) WIFI/BLUETOOTH (2.4 GHz)
Impedance:	50 Ohms
Polarization:	horizontal
Gain:	0dBi
VSWR:	<2:1
Power handling:	50W
Operating temperature:	-40°C to +85°C
Connector type:	FME female
Cable:	RG174U
Cable length:	300 cm

Mechanical Specifications and Dimensions:

Mounting:	Patch mount
Material:	ABS
Max dimensions:	52.5mm x 13mm
Weight:	50 g
Colour:	Black
Protection class:	IP67

MC0114050-A magnetic/adhesive antenna

LOG MAG (GNSS):



LOG MAG (Quad Band):

