

MC0114042-3-LTE-J

GSM/GPS/UMTS/LTE/WLAN Antenna

GSM 850/900/1800/1900MHz
incl. GPS + LTE + UMTS + WLAN (2.4GHz)

GSM/GPS/UMTS/LTE/WLAN

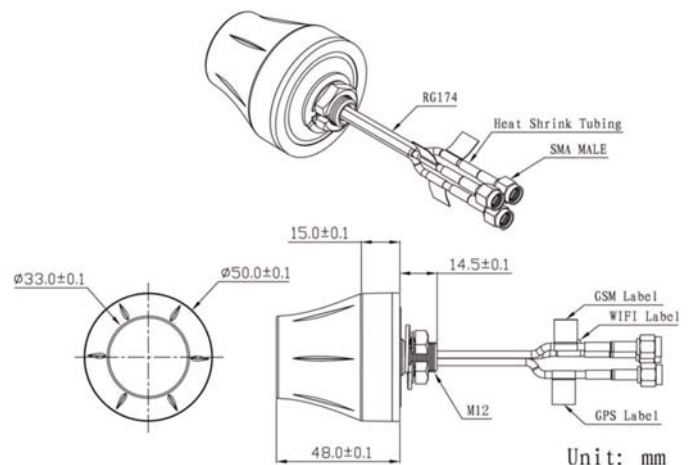
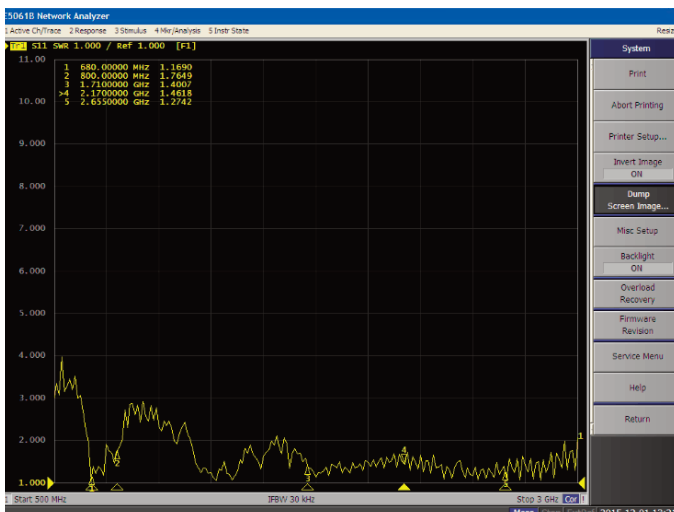


Specifications:

	GPS Antenna	GSM Antenna	WLAN Antenna
Frequency:	1575.42±1MHz	680-960/1710-2690 MHz	2400-2483.5 MHz
Band Width:	CF±5MHz		83.5MHz
Polarization:	RHCP	Linear	Linear
Gain:	5dBi (Zenith)	2dBi	3dBi
V.S.W.R:	<1.5	<2.0/<2,9@GSM850,900	<2.0
Impedance:	50Ω	50Ω	50Ω
Axial Ratio:	3dB (max.)		
LNA			
Gain:	28±2dB		
Noise Figure:	<1.5		
Ex-band Attenuation:	12dB@CF+50MHz/16dB@CF-50MHz		
V.S.W.R:	<2.0		
Supply Voltage:	2.2-5V DC		
Current Consumption:	5-15mA		

Mechanical

Cable:	3x 3m RG174
Connector:	3x SMA (male)
Material:	ABS
Mounting Method:	Screw
Operating Temperature:	-40°C to +85°C
Relative Humidity:	Up to 95%
Protection:	IP67 (exclude cable outlet)
Vibration:	10 to 55Hz with 1.5mm amplitude 2hours
Environmentally Friendly:	ROHS Compliant



MC0114042-3-LTE-J

GSM/GPS/UMTS/LTE/WLAN Antenna

GSM 850/900/1800/1900MHz

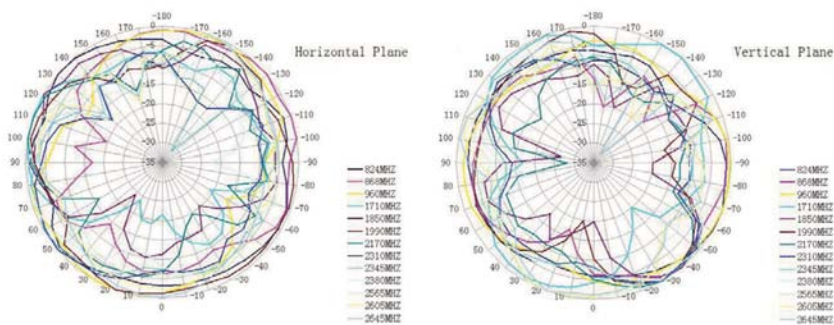
incl. GPS + LTE + UMTS + WLAN (2.4GHz)

GSM/GPS/UMTS/LTE/WLAN

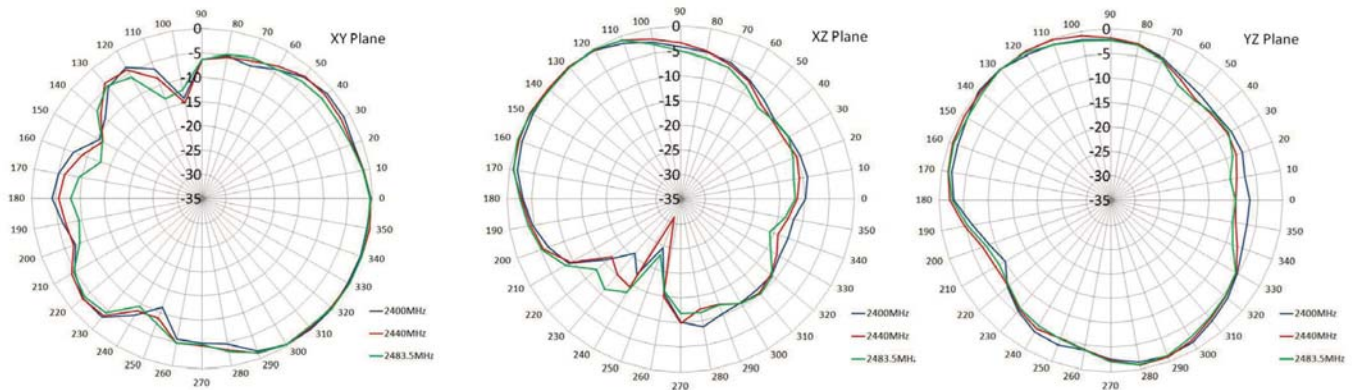


Pattern:

GSM Antenna



WLAN Antenna



GPS Antenna

