

# MC0114042-2-LTE-A GSM/GPS/UMTS/LTE Antenna

**GSM 850/900/1800/1900 MHz  
incl. GPS + LTE + UMTS**

**GSM/UMTS/LTE**



## Specifications:

### GPS Antenna

Center Frequency: 1575.42±1MHz  
 Band Width: CF±5MHz  
 Polarization: RHCP  
 Gain: 2dBi (Zenith)  
 V.S.W.R: <1.5  
 Impedance: 50Ω  
 Axial Ratio: 3dB (max.)

### LNA

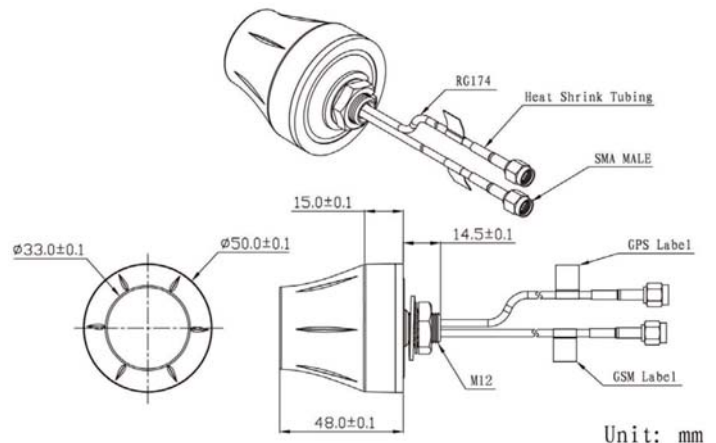
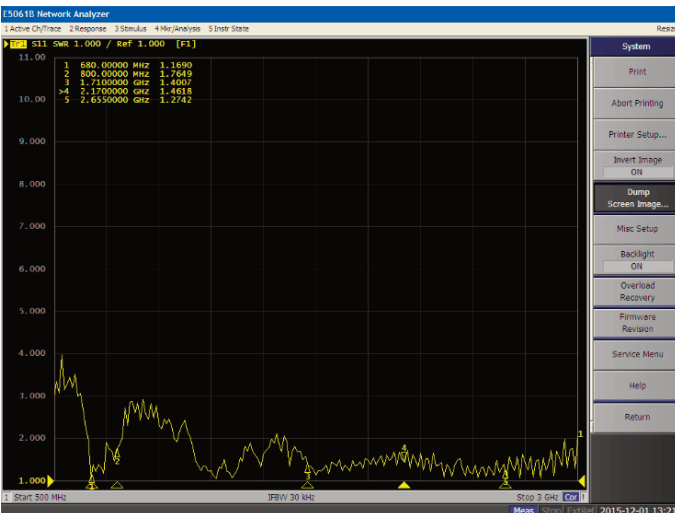
Gain: 28±2dB  
 Noise Figure: <1.5  
 Ex-band Attenuation: 12dB@CF+50MHz/16dB@CF-50MHz  
 V.S.W.R: <2.0  
 Supply Voltage: 2.2-5V DC  
 Current Consumption: 5-15mA

### GSM Antenna

Frequency: 680-960/1710-2690 MHz  
 Polarization: Linear  
 Gain: 2dBi  
 V.S.W.R (min.): <2.0 / <2,9@GSM850, 900  
 Impedance: 50Ω

### Mechanical

Cable: 2x 3m RG174  
 Connector: 2x SMA (male)  
 Material: ABS  
 Mounting Method: Screw  
 Operating Temperature: -40°C to +85°C  
 Relative Humidity: Up to 95%  
 Protection: IP67 (exclude cable outlet)  
 Vibration: 10 to 55Hz with 1.5mm amplitude 2hours  
 Environmentally Friendly: ROHS Compliant



Unit: mm

# MC0114042-2-LTE-A GSM/GPS/UMTS/LTE Antenna

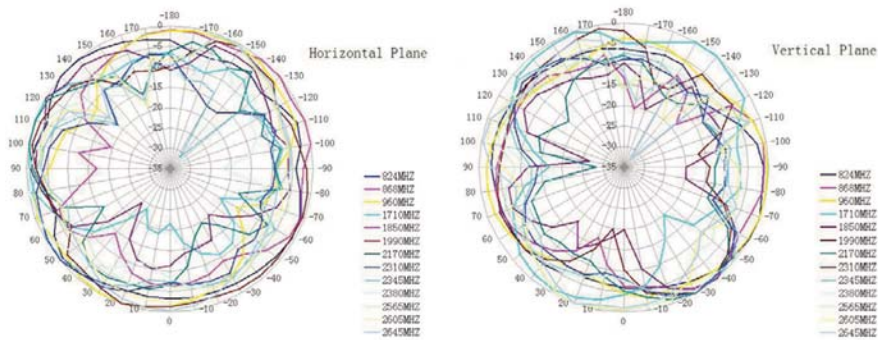
**GSM 850/900/1800/1900 MHz  
incl. GPS + LTE + UMTS**

**GSM/UMTS/LTE**



Pattern:

GSM Antenna



GPS Antenna

