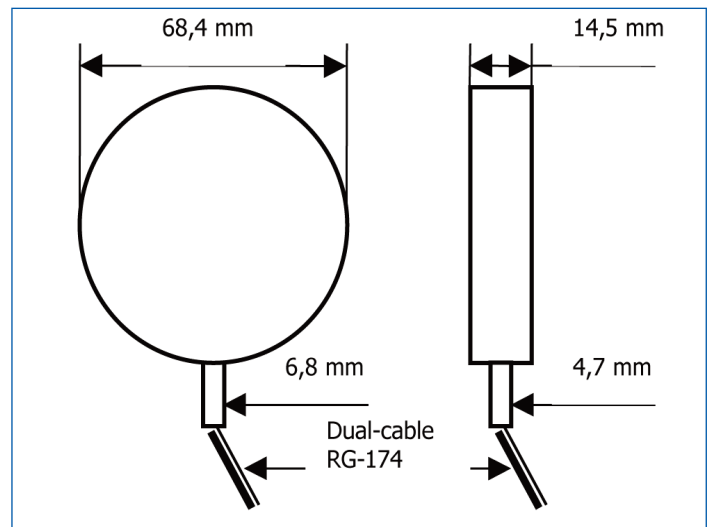


MC0114032 Klebe-Antennen

D-/E-Netz 900/1800 MHz

GSM



Technical Data:

GSM

FrequencyRange: 900/1800 MHz

VSWR*: < 2.0 typ.

Peak Gain*: +2 dBtyp. (900 MHz)/ -1 dBtyp. (1800 MHz)

Power max.: 10 W



Mechanical Data

Dimensions(ØxH): ca. 68 mmx 12 mm

TemperatureRange: -40°C to+85°C (operatingtemperature)

Connection (Standard): ca. 3m connectingcableRG174 withGSM/FME(f)