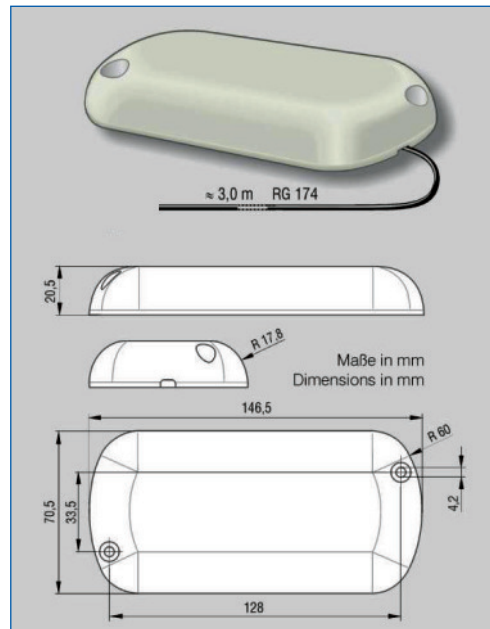


MC0114021 WLAN Low Profile Antenna

GSM 900/1800, PCS 1900, UMTS, WLAN

GSM/UMTS/WLAN



Technical Data:

Networks	GSM 900	GSM 1800/PCS 1900/UMTS	WLAN
Frequency	890-960 MHz	1710-2170 MHz	2400-2485 MHz
Gain		0 dBi	
VSWR	≤ 2 : 1	≤ 1,5 : 1	≤ 2 : 1
Return loss	≈ 10 dB	≈ 14 dB	≈ 10 dB
max. Power		10 W	
Temperature Range		-40°C to +75°C	
Inflammability		UL 94 V2	
Protection class		IP64	
Colouring		light grey (RAL 7035)	
RF-Cable		3m RG 174	
Connector		SMA (male)	
Mounting	Screw or adhesive mounting on plastic and metal		