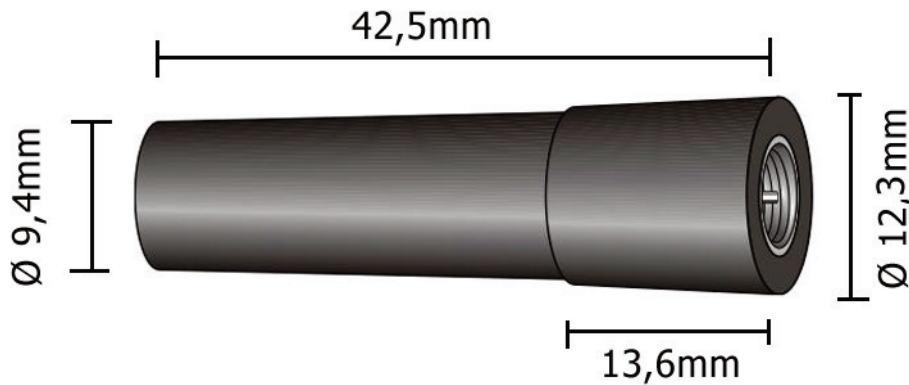


MC0114014 Mini antenna

GSM 850/900/1800/1900/DECT

GSM/ISM



Semi-flexible full $1/4 \lambda$ multiband whip antenna with integrated SMA-male connector, especially made for portable and stationary wireless applications (M2M) in the GSM 850/900/1800/1900 and DECT systems

Technical Specifications:

Frequency	824-894 MHz / 890-960 MHz 1710-1880 MHz / 1850-1990 MHz (GSM 850/900/1800/1900 / DECT)
Impedance	50 ohm
Polarisation	Vertical
Gain	0 dBd, 2.1 dBi
VSWR	< 2.0
Max. Power	10/5 W

Mechanical Specifications:

Color	Black
Height	42.5mm
Diameter	12.3mm
Weight	6 g
Materials	PE, copper, brass and Teflon
Connector	SMA (male)

