

# 162773

## LTE sticking antenna

### GSM 698-960/1710-2690MHz

#### GSM/UMTS/LTE

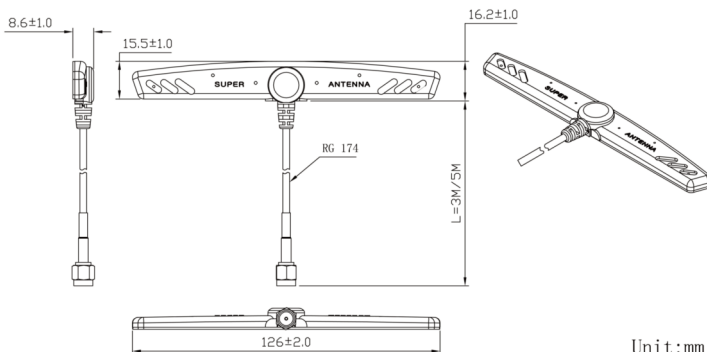


#### Specifications:

Frequency Range:	698~960/1710~2690MHz
Impedance:	50Ω
VSWR:	< 2.5
Gain:	2.0dBi
Polarization:	linear
PCB Dimension:	115x9x0.8mm

#### Mechanical Properties

Cable/Connector:	1,5m RG174 Kabel - Fakra D(f) r/a
Total Length:	107.5 mm
Radome:	Material PVC
Mounting:	Method Adhesive
Temperature Range:	-40°C to +85°C
Relative Humidity:	Up to 95%
Vibration:	10 to 55Hz with 1.5mm amplitude 2hours
Environmentally Friendly:	ROHS Compliant



#### Radiation Pattern

