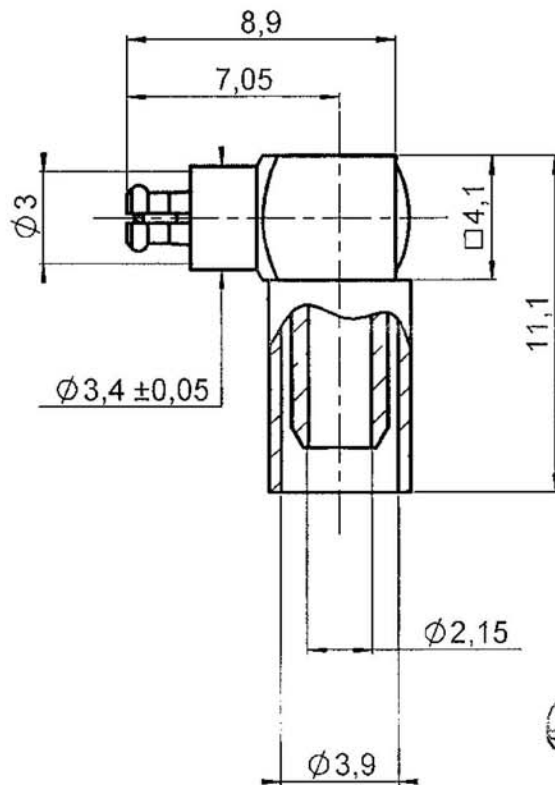


RIGHT ANGLE PLUG CRIMP TYPE

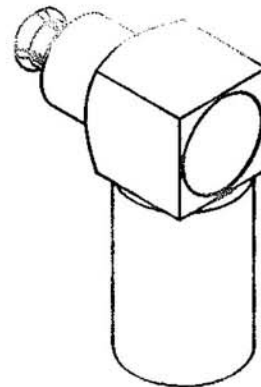
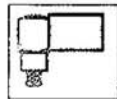
R 299792000

CABLE 3/50 S

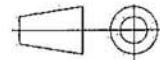
Series : **DIVERS**



SCALE 1



All dimensions are in mm.



COMPONENTS	MATERIALS	PLATINGS (µm)
BODY	BRASS	NICKEL 2
CENTER CONTACT	BRASS	GOLD 0.5 OVER NICKEL 2
OUTER CONTACT	BERYLLIUM COPPER	GOLD 1.3 OVER NICKEL 2
INSULATOR	PTFE	
GASKET	-	
OTHERS PARTS	BRASS	NICKEL .
-	-	-
-	-	-

Issue : 0538 B

In the effort to improve our products, we reserve the right to make changes judged to be necessary.

RIGHT ANGLE PLUG CRIMP TYPE

R 299792000

CABLE 3/50 S

Series : **DIVERS**

PACKAGING

Standard	Unit	Other
1	-	Contact us

SPECIFICATION

ELECTRICAL CHARACTERISTICS

Impedance		50 Ω
Frequency		0-3 GHz
VSWR	1.15 +	0.150 x F(GHz) Maxi
Insertion loss		0.07 √F(GHz) dB Maxi
RF leakage	-(65 - F(GHz)) dB Maxi
Voltage rating		100 Veff Maxi
Dielectric withstanding voltage		250 Veff mini
Insulation resistance		5000 MΩ mini

CABLE ASSEMBLY

Stripping	a	b	c	d	e	f
mm	2.00	5.00	8.00	0.00	6.00	0.00

Assembly instruction : **Crimp 05**

Recommended cable(s)
296 769 FTX

Cable retention
- pull off **110 N mini**
- torque **NA N.cm**

MECHANICAL CHARACTERISTICS

Center contact retention		
Axial force – Mating end	10	N mini
Axial force – Opposite end	10	N mini
Torque	NA	N.cm mini

Recommended torque		
Mating	NA	N.cm
Panel nut	NA	N.cm
Clamp nut	NA	N.cm
A/F clamp nut	0.000	mm

Mating life	5000	Cycles mini
Weight	1.030	g

ENVIRONMENTAL

Operating temperature	-25/+125	°C
Hermetic seal	NA	Atm.cm3/s
Panel leakage	NA	

Issue : 0538 B

In the effort to improve our products, we reserve the right to make changes judged to be necessary.