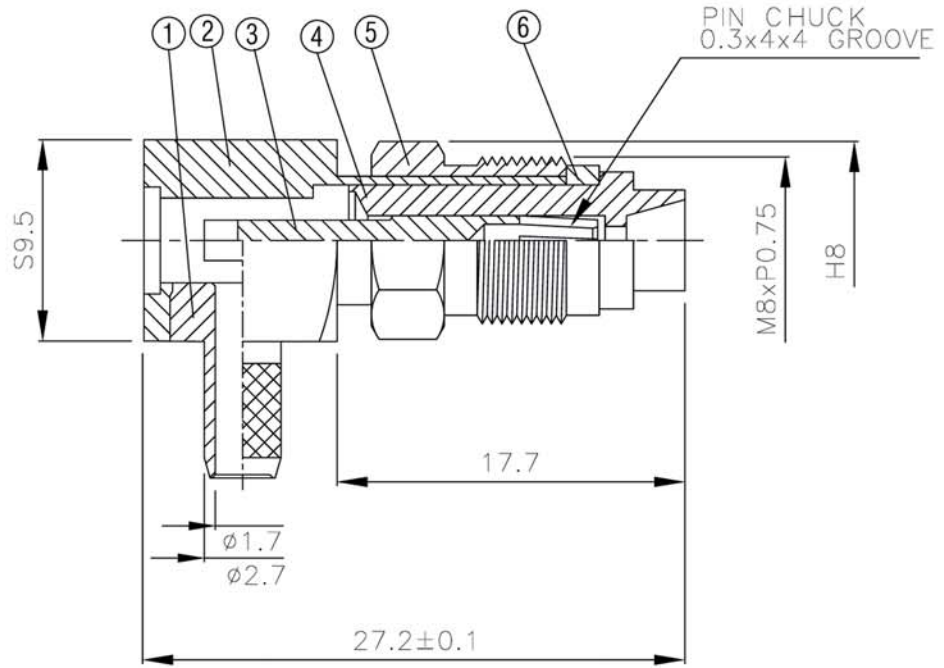
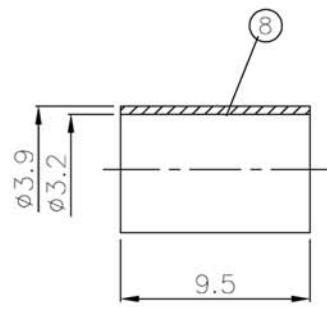
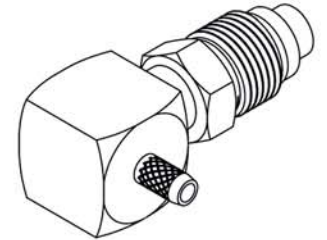
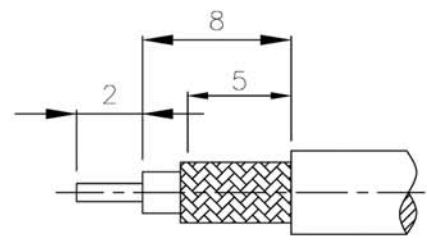


NO	DESCRIPTION	MATERIAL	Q'TY	FINISH	REMARK
1	BODY 1	BRASS	1	NICKEL	B-QMA0742-N
2	BODY 2	BRASS	1	NICKEL	B-FME1100-N
3	PIN	BRASS	1	GOLD	P-FME0768-G
4	INSULATION	DELTRIN	1	DELTRIN	I-0087D
5	NUT	BRASS	1	NICKEL	N-0008-N
6	WASHER	BRASS	1	NICKEL	W-0041-N
7	WASHER	BRASS	1	NICKEL	W-0061-N
8	RING	BRASS	1	NICKEL	R-0002-N



A	MCT	DRAWN	DATE	DIMENSIONS ARE IN MILLIMETERS				REVISION	
	TITLE ANGLE FME CRIMP FOR RG-174/U	CHECKED	DATE	UNLESS OTHERWISE SPECIFIED TOLERANCE				DESCRIPTION	ENGINEER
	PART NO. NI-114	APPROVAL	DATE	0.5-5=±0.2	120-315=±1				
	DRAWING NO.	REVISION	DATE	5-30=±0.4	315-1000=±1.6				
				30-120±0.6	1000-2000=±2.4	SCALE	4:1	SIZE	A

4 3 2 1