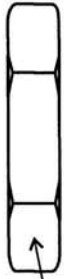


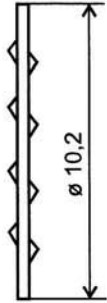
# MC-SMA-KMP-R4

NUT



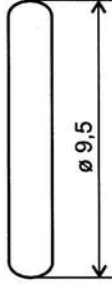
HEX 8,0

WASHER



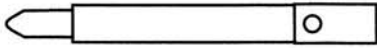
ø 10,2

O-RING

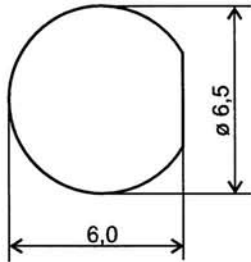


ø 9,5

PIN



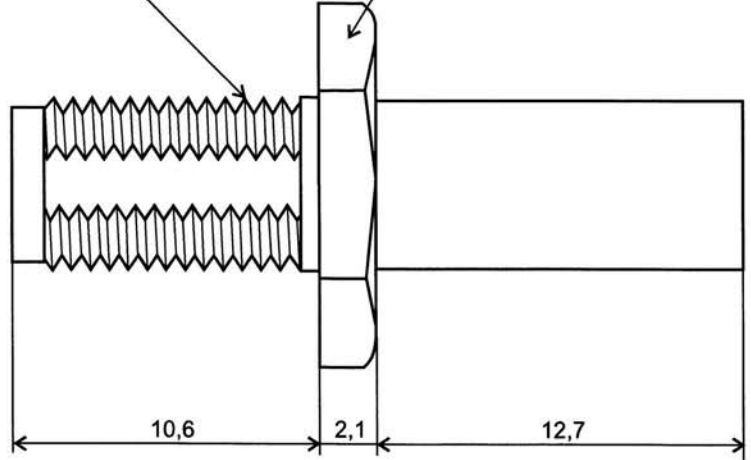
RECOMMENDED MOUNTING HOLE



6,0

ø 6,5

1/4-36 UNS-2A



HEX 11,0

10,6

2,1

12,7

PANEL MAX. 2,0 MM