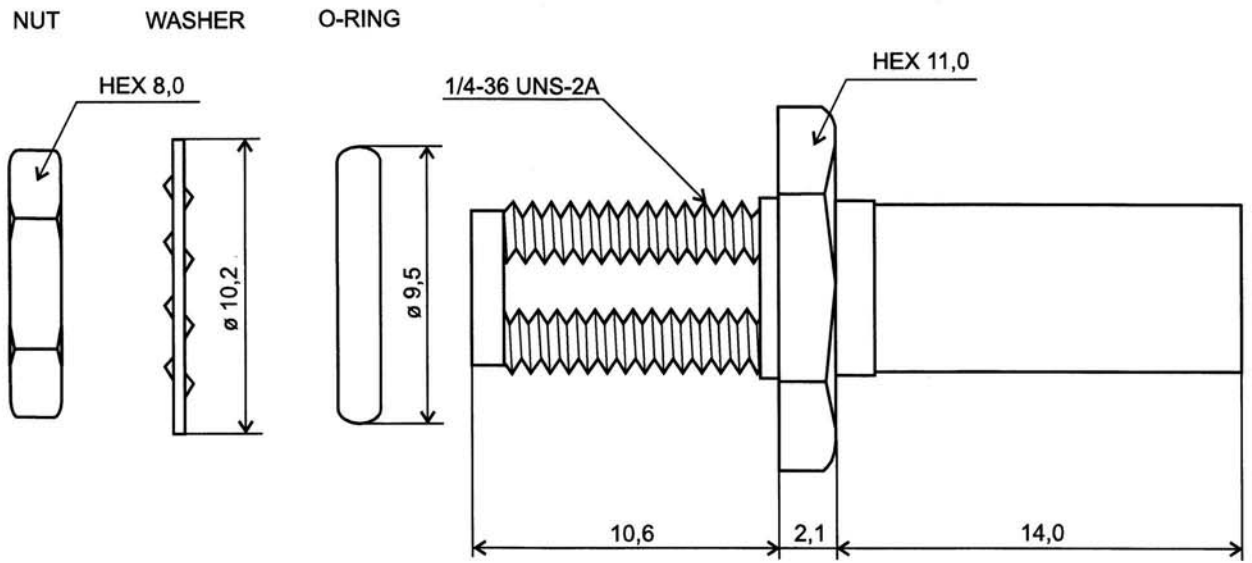


MC-SMA-KFP-5



RECOMMENDED MOUNTING HOLE

