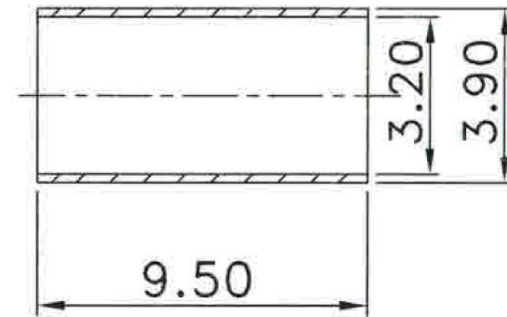
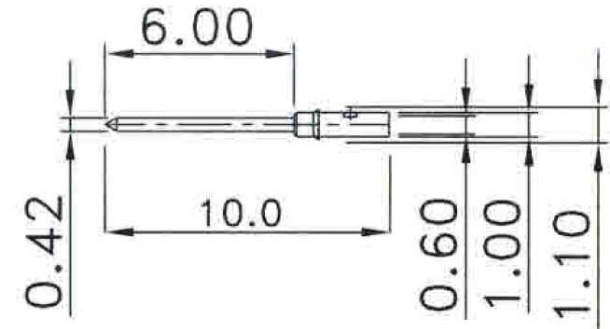
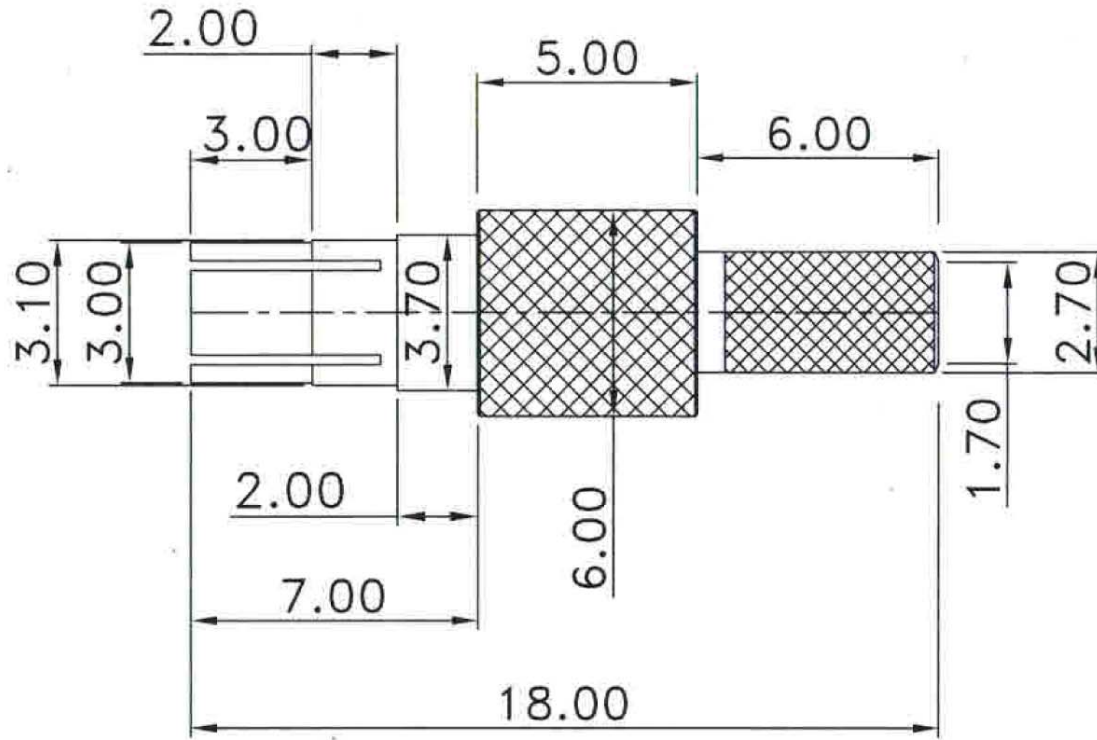


REV	DESCRIPTION	DRAWN	DATE



NO	Description	Qty	Material	Finish
5	FERRULE	1	BRASS	NICKEL
4	DIELECTRIC	1	TEFLON	NONE
3	PIN	1	PHOS BRONZE	GOLD
2	BODY	1	BERYLLIUM	NICKEL
1	BODY	1	BRASS	NICKEL

UNLESS OTHERWISE SPECIFIED
1. REMOVE ALL BURRS.
2. BREAK ALL CORNERS & EDGES 0.15 MAX.
3. CHAMFER 1ST & LAST THREADS 45°.
4. DIAMETERS ON COMMON CENTERS.
TO BE CONCENTRIC WITHIN 0.1 TYP.
5. ALL DIMENSIONS ARE AFTER PLATING.

* MAJOR DIMENSION
UNLESS OTHERWISE NOTED TOLERANCES
0.5-6=±0.2
6-30=±0.4
30-120=±0.6
120-315=±1.0
ANGLES=±1°

APPROVED
CHECKED
DRAWN andrew

MC-1501126
TITLE
CRC9 MALE CRIMP FOR RG174
DRAWING NO. REV A
FILE NO.

SCALE 6/1 UNIT MM DRAWN DATE 03/07/29