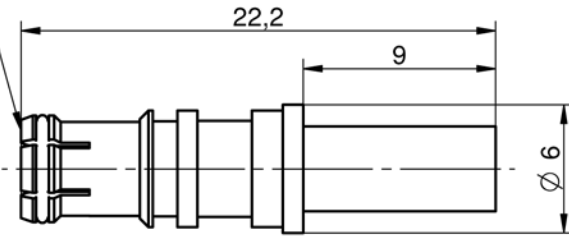
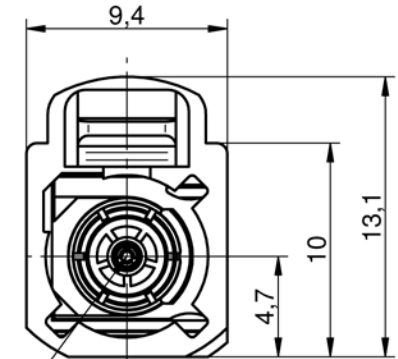
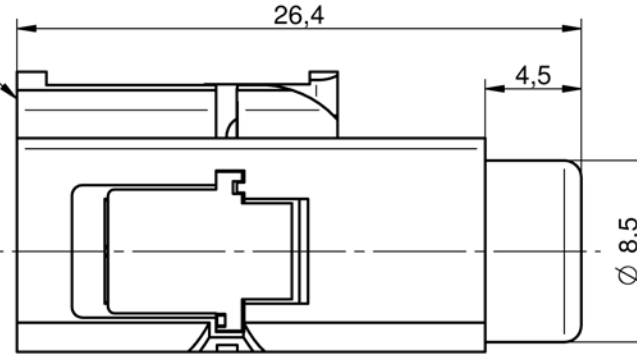


View with preassembly secondary locking and without inserted SMBA connector

Ordering no.: 3400.SMBA.2010.0YZ.99



Ordering no.: 3400.SMBA.2X10.000.98 (for cable group 1 / 2 / 3 / 5)

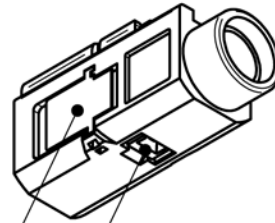


Interface acc. to DIN72594

variable X have to be stated within the drawing number when an order is placed

variable X = Coding

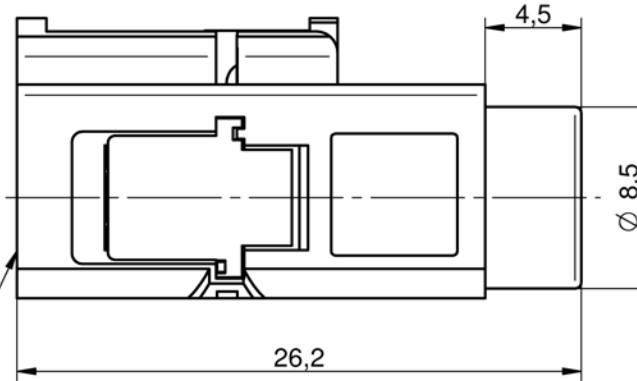
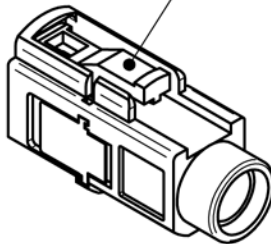
Code A deep-black RAL 9005	Code B creme-white RAL 9001	Code C signal-blue RAL 5005	Code D bordeaux-violet RAL 4004	Code E leaf-green RAL 6002
Code F nut-brown RAL 8011	Code G blue-grey RAL 7031	Code H heather-violet RAL 4003	Code I beige RAL 1001	Code K curry-yellow RAL 1027
Code L carmine-red RAL 3002	Code M pastel-orange RAL 2003	Code N white-green RAL 6019		



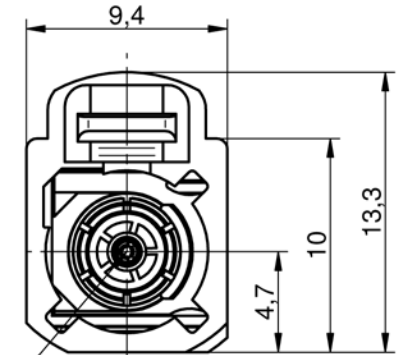
preassembly locking

secondary locking

primary locking



Ordering no.: 4100.SMBA.2X10.000.98 (for cable group 8)



Interface acc. to DIN72594

variable Z = Plating

Part	Material	Variable Z =			
		1	5	9	
Plastic housing	PA				
Centre contact	bronze	Au	Au	Au	
Outer contact	brass	Au	white bronze	Ni	
Insulator	PE				
Rest	brass	Ni	white bronze	Ni	

variable Y = Cable type

Y-variable	Cable type	Outer contact hex-crimp Ø		Inner contact B-Crimp			Assembly Instruction
		size	length	semiautomatic tool	hand tool	length	
1	ET124899	2,67	6	AGK-3801	AGK-3761	2,2	M-172
2	RG 174	3,30	6	AGK-3802	AGK-3762	2,2	M-161
3	RKT031	4,30	6	AGK-3803	AGK-3763	2,2	M-161
5	RG 316 D	3,65	6	AGK-3802	AGK-3762	2,2	M-161
8	RG 58	5,35	6	AGK-3803	AGK-3763	2,2	M-161

		general tolerance ISO 2768		scale: 4:1				
		mH angle: ± 5°		Assembly instruction: see table				
EC_108_13		h	KG.8 Gehäuse	17.10.13	F Fab.	date	name	Kabelkuppler
design	g	KG 5 Crimp SW	01.06.04	Glatz	generate	23.04.02	Glatz	
design	f	M-172 - hinzu	14.05.04	Glatz	checked			Cable jack
design	e	KG 5 - hinzu	27.01.04	Glatz	Norm			
design	d	Struktur	16.12.03	Glatz				1077240
design	c	hand crimp tool	01.04.03	Glatz				
design	b	complete revised	19.02.03	Glatz				Rev. h
design	a	cor. acc. DIN72594	02.10.02	Rsc				
nr.	rev.	alteration	date	name				