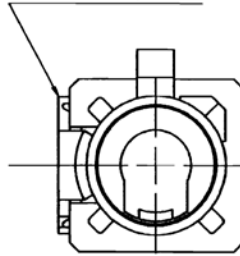


Variable X, Y and Z have to be stated within the drawing number when a order is placed.

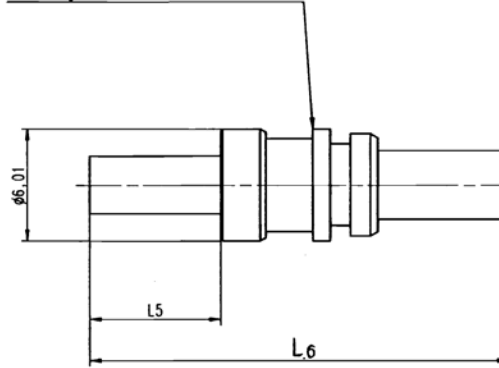
Variable X- Coding

coding X-	A	B	C	D
front view				
colour	deep black	cream white	signal blue	bordeaux violet
coding X-	E	F	G	H
front view				
colour	leaf green	nut brown	blue grey	heather violet
coding X-	I	K	L	M
front view				
colour	beige	curry yellow	carmine red	pastel orange
coding X-	N			
front view				
colour	pastel green			

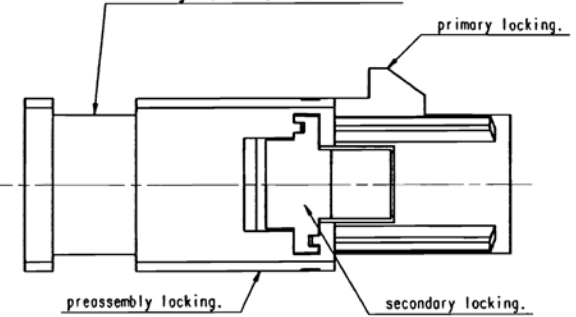
View with preassembled secondary locking, and without inserted SMBA connector.



Ordering no.: 3401.SMBA.1010.0YZ.99



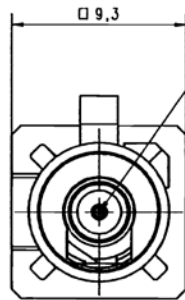
Ordering no.: 3401.SMBA.1X10.0YZ.98



View with preassembled secondary locking and without inserted SMBA connector.

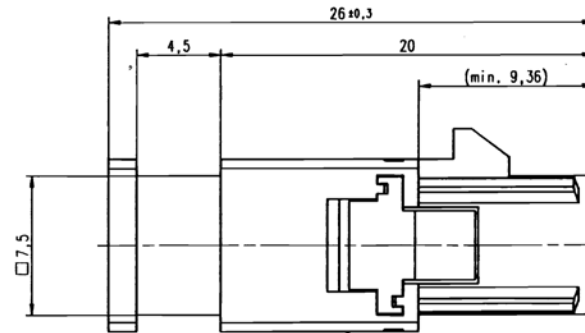
Variable Z- Plating

Part	Material	Variable Z -		
		1	5	9
Plastic Housing	PA 6.6			
Centre Contact	Brass	Au	Au	Au
Outer Contact	Brass	Au	White bronze	Ni
Insulator	PE/PTFE			
Rest	Brass/cooper	Ni	White bronze	Ni



Interface acc. to - DIN 72594

View with inserted SMBA connector.

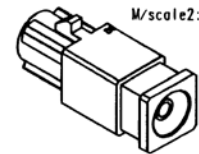


Ordering no.: 3401.SMBA.1X10.0YZ

View with inserted SMBA connector.

Variable Y=Cable type

Y-Variable	Cable typ	Outer contact \bigcirc Crimp		Inner contact \square Crimp		length crimp ferrule L5	total Length L6	Assembly instruction M-XXX	Crimp die IMS-number
		size	length	size	length				
1	ET 124899	2,67	4,0	1,23	1,5	7,0	22,5	M-156	AGK-3573-10
2	RG 174; RG 316	3,30	6,0	0,73	1,5	9,0	23,6	M-157	AGK-3573-11
3	RTK 031	4,30	6,0	1,15	1,5	9,0	23,6	M 157	AGK-3573-13
4	Hrose UFL-LP-066 A12B0733-01	2,67	4,0	1,23	1,5	7,0	22,5	M 156	AGK-3537-10
8	RG 58	5,35	6,0	1,15	1,5	9,0	23,6	M 157	AGK-3537-14



M/scale2:1

IMS CONNECTOR SYSTEMS				general tolerance ISO 2768 mH	ISO 2768 m	scale 5:1 (2:1)	Assembly instruction Stripping dimension	M-XXX
05	05	05	05	05	05	05-3 ± 0.1	Kabelstecker Cable plug	Rev i
05	05	05	05	05	05	30-6 ± 0.1		
05	05	05	05	05	05	6-30 ± 0.2	1075854	
18 / 01	1	added total length	23.00	DL	30832			
507 / 01	5	Revised	9.0.01	Zahr				
000 / 01	5	Added cable type	2794-01	PS				
000 / 03	7	Table corr.	10.01.01	RS				
000 / 03	7	alteration	date	name				