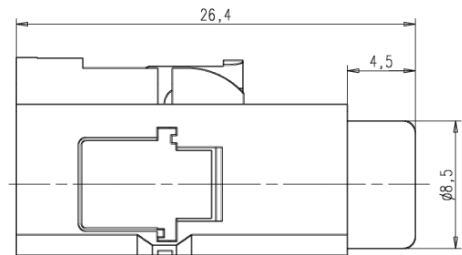
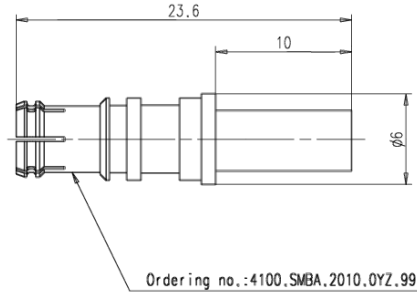
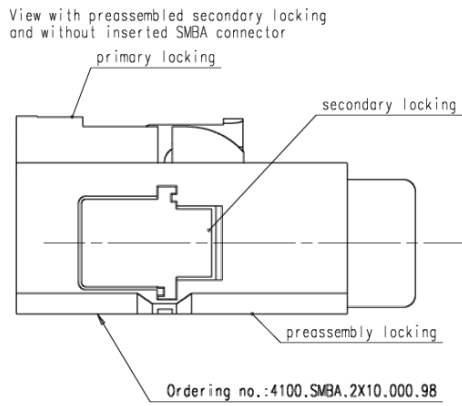
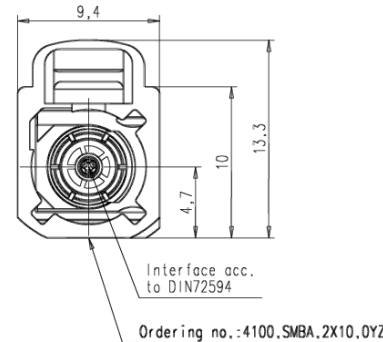


Variable X = Coding

coding X=	A	B	C	D
front view				
colour	deep black	cream white	signal blue	bordeaux violett
coding X=	E	F	G	H
front view				
colour	leaf green	nut brown	blue grey	heather violet
coding X=	I	K	L	M
front view				
colour	beige	curry yellow	carmine red	pastel orange
coding X=	N			
front view				
colour	pastel green			



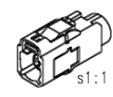
View with inserted SMBA connector



Plating

Part	Material	g
Plastic Housing	PA 6.6	
Centre Socket	bronze	Au
Outer Contact	brass	Ni
Insulator	PE	
Rest	brass	Ni

Variable X have to be stated within the drawing number when a order is placed.



IMS CONNECTOR SYSTEMS	general tolerance	ISO 2768	scale: 4:1
	ISO 2768	mt	Assembly instruction: see table
		0,3-3: ±0,1	Stripping dimension: see table
		3-6: ±0,1	
	6-30: ±0,2		
	date	name	
	generate 24.08.06	Renz	Kabelkuppler
	checked		Cable jack
	Norm		
	47814		
			1073116
nr.	rev.	alteration	date name

Rev.