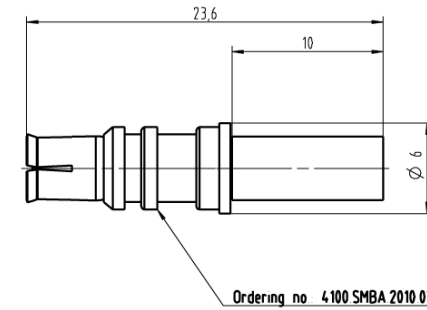
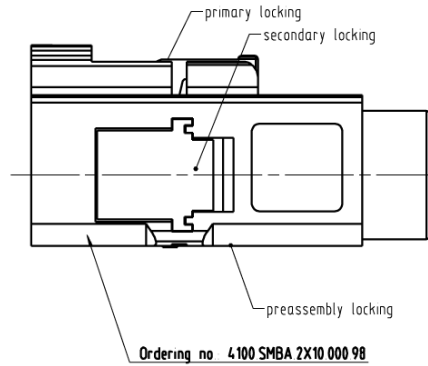
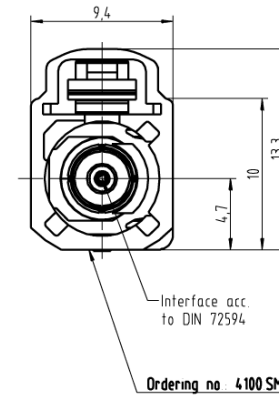


View with preassembled secondary locking  
and without inserted SMBA connector

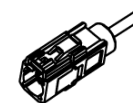


View with inserted SMBA connector



Assembly Instruction  
Stripping dimensions see table

Variable X and Y have to be stated  
within the drawing number when an order is placed



		general tolerance	ISO 2768	scale: 4:1	
			mH		
		ISO 2768	0,5-3: ±0,1	Assembly Instruction Stripping dimensions: see table	
			3-6: ±0,1		
			6-30: ±0,2		
		date	name	<b>Kabelkuppler</b> Cable jack	
		generated	Renz		
		checked			
		Norm	64784		
EC-163-15	d	Revised	11.11.15	ifa	<b>1073110</b>
EC-122-11	c	PBT was PA	14.10.11	ek1	
design	b	coding Z add	07.09.10	akt	
design	a	Ueberarbeitung	14.09.07	Renz	
nr.	rev.	alteration	date	name	Rev. d

Variable X - Coding

coding X=	A	B	C	D
front view				
colour	deep black	cream white	signal blue	bordeaux violett
coding X=	E	F	G	H
front view				
colour	leaf green	nut brown	blue grey	heather violet
coding X=	I	K	L	M
front view				
colour	beige	curry yellow	carmine red	pastel orange
coding X=	N			Z
front view				
colour	pastel green			water blue

Variable Z= Plating

Part	Material	Variable Z =		
		1	5	9
Plastic Housing	PBT			
Centre Socket	bronze			Au
Outer Contact	brass			Ni
Insulator	PE			
Crimp ferrule	brass copper			Ni

Y Variable	Cable type	Assembly Instruction
2	RG-174	M-191
3	LL32	M-192