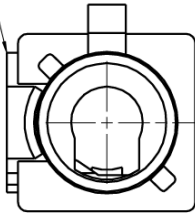


Variable X have to be stated within the drawing number when a order is placed.

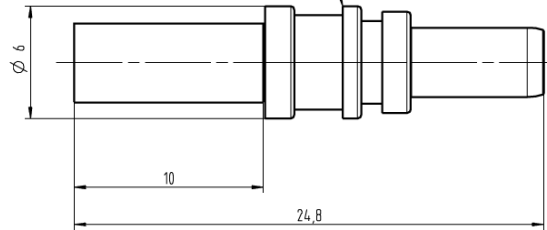
Plug / Stecker				
Variable X=Coding				
Code A	Code B	Code C	Code D	Code E
Black 9005	Cream White 9001	Blue 5005	Bordeaux 4004	Green 6002
Code F	Code G	Code H	Code I	Code K
Brown 8011	Grey 7031	Violet 4003	Beige 1001	Curry 1027
Code L	Code M	Code N	Code Z	
Camino red 3002	Pastel orange 2003	Pastel green 6019	Violet blue 5021	

(b)

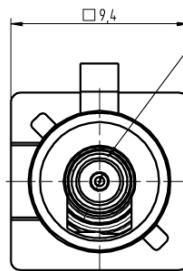
View with preassembled secondary locking and without inserted SMBA Connector.



Ordering no. 4 101 SMBA 1010 0Y2 99

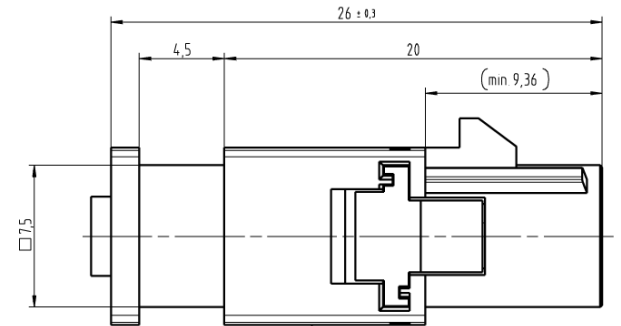
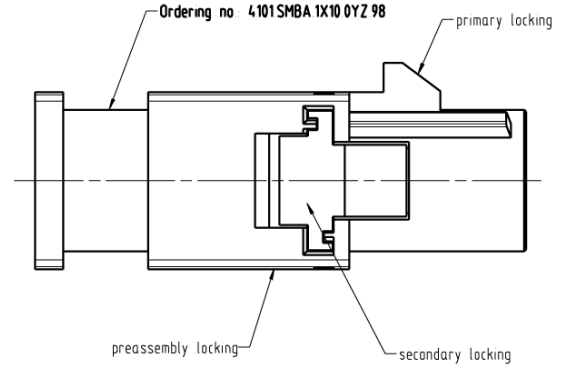


Interface acc. to - DIN 72594



View with inserted SMBA connector

View with preassembled secondary locking and without inserted SMBA Connector



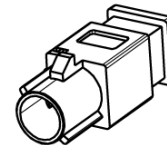
Ordering no. 4 101 SMBA 1X10 0YZ

View with inserted SMBA Connector

Variable Z= Plating

Part	Material	Variable Z =		
		1	5	9
Plastic Housing	PBT			
Centre Socket	brass			Au
Outer Contact	brass			Ni
Insulator	PE/PTFE			
Crimp ferrule	brass copper			Ni

Y Variable	Cable type	Assembly instruction
2	RG-174	M-193
3	LL32	M-194



IMS CONNECTOR SYSTEMS		general tolerance	ISO 2768	scale
		mH	0,5-3: +0,1 3-6: +0,1 6-30: +0,2	(2:1)
		date	name	Assembly Instruction
		24.08.06	Renz	Stripping dimensions: see table
		checked		<b>Kabelstecker</b>
		Norm		<b>Cable mount plug</b>
EC-172-15	d	Revised	09.12.15	I.Fa
EC-123-11	c	PBT was FR	16.10.11	ekl
EC-195-10	b	Coding Z add	09.11.10	E.Kl
design	Q	Ueberarbeitung	14.09.07	Renz
nr	rev	alteration	date	name
				<b>1073104</b>
				Rev. <b>d</b>